

Day-Brite



by Signify

Linear

FluxStream sealed strip

4' and 8'
Up to 12,000



Control options available

Day-Brite / CFI FluxStream LED sealed strip is a high performing luminaire delivering smooth diffuse light ideal for light industrial, commercial and residential applications with unparalleled energy efficiency.

Project: _____
 Location: _____
 Cat.No: _____
 Type: _____
 Lumens: _____ Qty: _____
 Notes: _____

Ordering guide

Example: FSX440L840-UNV

Series	Length (nominal)	Lumens ¹ (nominal)	Color temp. (K)	Voltage	Driver	Options
FSX	<input type="text"/>	<input type="text"/>	<input type="text"/> -	<input type="text"/> -	<input type="text"/> -	<input type="text"/>
FSX FluxStream sealed strip	4 4' length	40L 4000 lumens 60L 6000 lumens	830 80 CRI, 3000K 835 80 CRI, 3500K	UNV Universal voltage 120-277V 120 120V 277 277V 347 347V	blank DIM³ Non-dimming 0-10V 1% dimming SDIM³ Step dimming to 40% input power	BSL6LST^{2,3} Factory wired Philips Bodine integral emergency pack. Nominal 700lm IAI⁴ Integral Interact Industry daylighting and occupancy sensor, enables wireless connected lighting control MD360W 120-277V motion detector, factory installed on end cap (ON/OFF) MD360WD 120-277V motion detector, factory installed on end cap (ON/DIM) IP65 IP65 rated protection from water and dust WCW6/6 Factory wired 6' 18/6 white cord for use with 0-10V DIM option plus BSL6LST WCW6/5 Factory wired 6' 18/5 white cord for use with 0-10V DIM option WCW6/4 Factory wired 6' 16/4 white cord for use with BSL6LST or SDIM options Factory wired 6' 16/3 white cord is standard
	8' 8' length	80L 8000 lumens 120L 12000 lumens	840 80 CRI, 4000K 850 80 CRI, 5000K			

- Nominal delivered lumens at 25°C ambient.
- BSL6LST on 8' models illuminates 4' section in emergency mode.
- 3 wire cord is standard. Order proper cord option for dimming or emergency.
- High bay motion detector. Motion sensing zone is extremely limited if used below 15' mounting height.

Accessories (order separately, see last page for details)

- **FSXWG4** - 4' wire guard (order two for 8' models)
- **FSTH** - Sliding hanger bracket (set of two)
- **DACH48** - Adjustable cable hanger kit (order two per fixture)

General notes

Many luminaire components, such as reflectors, refractors, lenses, sockets, lampholders, and LEDs are made from various types of plastics which can be adversely affected by airborne contaminants. If sulfur based chemicals, petroleum based products, cleaning solutions, or other contaminants are expected in the intended area of use, consult factory for compatibility.



interact ready.

FSX FluxStream LED sealed strip

4' and 8', up to 12,000 lumens

Features

- Compact design for installation in tight spaces.
- Each unit comes standard with a 6' 16/3 wired white cord.
- Sliding hanger bracket set included.
- 4' and 8' lengths available to accommodate many field applications.
- Up to 100,000 hour predicted L70 LED lumen maintenance provides long service life to reduce maintenance costs.
- Can be surface mounted on ceilings or walls, or suspended via chain, or cables with the sliding hanger brackets.
- Ideal for cold applications (-20°C).
- 0-10v dimming driver as standard. Step dimming (100/40%) is optional. Note that special cords are required to utilize dimming or step dimming.
- Optional wet location motion detector factory installed on end cap.
- Luminaire housing tested to IK08 impact standards.

- 5 year manufacturer's limited warranty. Visit signify.com/warranties for complete warranty information.

Construction/Finish

- Continuous white polycarbonate extruded housing.
- Frosted polycarbonate diffuser provides wide light distribution and superior glare control.
- White plastic end caps.

Electrical

- Standard luminaire is non-dimming.
- Dimming to 1% on 0-10V controls optional available. Step dimming (SDIM) option available (100/40%).
- LED boards and drivers are RoHS (Restriction of Hazardous Substances) compliant. Total system life rated at 50,000 hours. Predicted L70 lifetime based on LED manufacturer's supplied LM-80 data and in-situ laboratory testing.

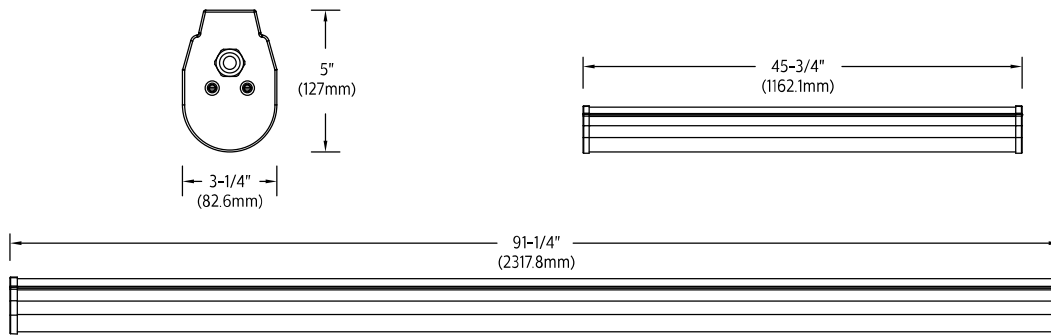
Labels

- cETLus listed to meet UL1598 Standards suitable for use in wet locations.

Interact Industry (IAI)

- A wireless IoT connected lighting solution for large warehouses, gymnasiums and industrial facilities that require multiple gateways.
- View all your projects under one dashboard and easily compare insights from multiple projects in one view.
- Combine Interact Office and Interact Industry sensors on a single project and for a common dashboard view.
- Compatible Zigbee Green Power wall dimmer.
- Maximize energy savings with integrated sensors and integration with BMS.
- Use Interact Industry software and insights to reduce maintenance cost by remotely configuring and managing the system, creating flexible lighting zones, insights on lamp burn hours etc. Optimize warehouse operations with real time occupancy analytics and minimize potential bottlenecks.
- Requires compatible Interact Gateway and internet connectivity for commissioning.
- For more information on Interact Industry Wireless, visit: www.interact-lighting.com/en-us/what-is-possible/interact-industry

Dimensions



Ambient Temperature Data

Configuration	Ambient
FSX440L	-20°C to 40°C
FSX460L	-20°C to 35°C
FSX880L	-20°C to 40°C
FSX8120L	-20°C to 35°C
BSL6LST option	Minimum 0°C

FluxStream LED sealed strip, 4', 6000 nominal delivered lumens

LER - 116

Catalog No.	FSX460L840-UNV-DIM	Candlepower					Light Distribution			Average Luminance			
		Angle	End	45	Cross	Back-45	Degrees	Lumens	% Luminaire	Angle	End	45°	Cross
Test No.	38882	0	1518	1546	1555	1546	0-30	1210	20.1	45	20106	15613	14994
S/MH	1.3	5	1512	1541	1551	1541	0-40	2001	33.2	55	18992	14191	13912
Lamp Type	LED	15	1460	1497	1514	1497	0-60	3674	61.0	65	16107	12897	13006
Lumens/Lamp	6025	25	1356	1405	1436	1405	0-90	5347	88.7	75	12966	11774	12332
Input Watts	52	35	1202	1277	1325	1277	0-180	6025	100.0	85	6492	10282	11925
		45	1010	1117	1192	1117							
		55	784	936	1046	936							
		65	500	753	892	753							
		75	258	577	738	577							
		85	53	392	589	392							
		95	6	269	419	269							
		105	6	174	302	174							
		115	6	106	202	106							
		125	6	63	126	63							
		135	7	36	73	36							
		145	7	18	38	18							
		155	7	11	15	11							
		165	7	8	8	8							
		175	7	7	7	7							

Coefficients of Utilization												
EFFECTIVE FLOOR CAVITY REFLECTANCE 20 PER (pfc=0.20)												
pcc	80			70			50					
	70	50	30	70	50	30	50	30				
pw												
RCR												
0	116	116	116	112	112	112	105	105				
1	104	98	93	100	94	90	88	84				
2	93	84	76	89	81	74	76	70				
3	85	73	64	81	71	62	66	59				
4	77	64	55	74	62	53	58	51				
5	71	57	48	68	55	46	52	44				
6	65	51	42	62	50	41	47	39				
7	60	46	37	58	45	36	42	35				
8	56	42	33	54	41	33	39	31				
9	52	39	30	50	37	30	35	28				
10	49	35	27	47	35	27	33	26				

FSX FluxStream LED sealed strip

4' and 8', up to 12,000 lumens

FluxStream LED sealed strip, 4', 4000 nominal delivered lumens

LER - 122

Catalog No.	FSX440L840-UNV-DIM	Candlepower				Light Distribution			Average Luminance				
Test No.	38883	Angle	End	45	Cross	Back-45	Degrees	Lumens	% Luminaire	Angle	End	45°	Cross
S/MH	1.3	0	1039	1039	1039	1039	0-30	814	20.6	45	12692	10010	9728
Lamp Type	LED	5	1017	1036	1044	1036	0-40	1346	34.0	55	11149	9111	9073
Lumens/Lamp	3955	15	979	1004	1017	1004	0-60	2458	62.1	65	9964	7762	8544
Input Watts	32	25	907	939	963	939	0-90	3530	89.3	75	7669	7099	7672
		35	803	852	888	852	0-180	3955	100.0	85	2984	6682	7541
		45	671	742	798	742							
		55	484	621	701	621							
		65	326	466	599	466							
		75	161	355	467	355							
		85	26	258	375	258							
		95	0	177	288	177							
		105	0	114	210	114							
		115	0	70	144	70							
		125	0	38	91	38							
		135	0	18	52	18							
		145	0	6	26	6							
		155	0	2	8	2							
		165	0	1	2	1							
		175	0	0	0	0							

Comparative yearly lighting energy cost per 1000 lumens - \$1.97 based on 3000 hrs. and 5.08 pwr KWH.												
The photometric results were obtained in the Day-Brite laboratory which is NVLAP accredited by the National Institute of Standards and Technology.												
Photometric values based on test performed in compliance with LM-79.												

Coefficients of Utilization												
EFFECTIVE FLOOR CAVITY REFLECTANCE 20 PER (pfc=0.20)												
pcc	80						70			50		
pwr	70	50	30				70	50	30		50	30
RCR												
0	116	116	116				113	113	113		105	105
1	104	98	93				100	95	90		88	85
2	94	84	77				90	82	75		76	70
3	85	73	65				81	71	63		66	60
4	77	65	55				74	63	54		59	51
5	71	58	48				68	56	47		52	45
6	65	52	42				63	50	41		47	40
7	61	47	38				58	45	37		43	35
8	56	42	34				54	41	33		39	32
9	53	39	30				51	38	30		36	29
10	49	36	28				47	35	27		33	26

Accessories/Options



Catalog Code	Description
FSTH	Sliding hanger bracket (set of two) - one set included with fixture
DACH48	Adjustable cable hanger kit (order two per fixture)
BSL6LST	Factory wired Philips Bodine integral emergency pack (nominal 700lm)
MD360W	120-277V motion detector, factory installed on end cap (ON/OFF)
MD360WD	120-277V motion detector, factory installed on end cap (ON/DIM)
WCW6/5	Factory wired 6' 16/5 white cord for use with 0-10V dimming
WCW6/4	Factory wired 6' 16/4 white cord for use with BSL6LST or SDIM

The information presented in this document is not intended as any commercial offer and does not form part of any quotation or contract.



© 2020 Signify Holding. All rights reserved. This document contains information relating to the product portfolio of Signify which information may be subject to change. No representation or warranty as to the accuracy or completeness of the information included herein is given and any liability for any action in reliance thereon is disclaimed. All trademarks are owned by Signify Holding or their respective owners.

Signify North America Corporation
200 Franklin Square Drive,
Somerset, NJ 08873
Telephone 855-486-2216

Signify Canada Ltd.
281 Hillmount Road,
Markham, ON, Canada L6C 2S3
Telephone 800-668-9008