

Day-Brite



by Signify

Linear

FluxStream strip

FSS 2', 3', 4', & 8'



Control options available

Day-Brite / CFI FluxStream LED strip is a high performing luminaire delivering smooth diffuse light ideal for light industrial, commercial and residential applications with unparalleled energy efficiency.

Project: _____
 Location: _____
 Cat.No: _____
 Type: _____
 Lumens: _____ Qty: _____
 Notes: _____

Ordering guide - standard & wireless controls

example: FSS440L840-UNV-DIM

Series	Length (nominal)	Lumens ² (nominal)	Color temp. (K)	Voltage	Driver	Options
FSS						
FSS FluxStream strip	2' 2'	20L 2000 30L 3000	830 80 CRI, 3000K 835 80 CRI, 3500K 840 80 CRI, 4000K 850 ³ 80 CRI, 5000K	UNV Universal voltage 120-277V 120 ⁴ 120V 277 ⁴ 277V 347 ⁵ 347V	DIM ¹¹ Dimming Step dimming to 40% input power SDIM ^{6,7} MarkX phase dimming XDIM ^{4,6,7} DALI ⁸ DALI	EMLED ^{5,6,9} Factory wired Bodine BSL310LP integral emergency pack. Nominal 1100lm ER100 ^{12,13,17} UL924 listed bypass sensor relay, factory installed between driver & sensor PS/PI (Interact Pro compatible) ER100/HVPS ^{12,13,17} UL924 listed sensor bypass relay, factory installed between driver & sensor for 347/480 Power Sense (Interact Pro compatible) ER100/HVPI ^{12,13,17} UL924 listed sensor bypass relay, factory installed between driver & sensor 347/480 Power Interrupt (Interact Pro compatible) GTD/E ¹² UL924 listed Bodine GTD factory installed on driver input GTD/SNSR ^{12,13} UL924 listed Bodine GTD factory installed between driver & sensor (alternate option to ER100) SWZCS ^{10,15} Interact Pro scalable sensor with integral daylight & occupancy sensing, advanced grouping with dwell time SWZDT ¹⁰ SpaceWise sensor, daylighting and occupancy, advanced grouping, with dwell time RADIO ¹⁰ Integral Interact Pro RF sensor, enables wireless connected lighting control SWZCSH ¹⁴ Interact Pro scalable high bay sensor with integral daylight & occupancy sensing, advanced grouping with dwell time for high mounting heights IAOSB ^{10,15} Interact Pro wireless sensor with occupancy, daylight, and environmental sensing capabilities LSXR10 120-347V motion sensor, factory installed on end cap LSXR10ADC ¹⁰ 120-347V motion sensor with photocell and hi/lo trim dimming, factory installed on end cap PAF Paint after fabrication for extra corrosion resistance (white) BK Matte black paint color ST Satin aluminum paint color BAC ¹⁸ Meets the requirements of the Buy American Act of 1933 (BAA)
	3' 3'	30L 3000				
	4' 4'	30L 3000 40L 4000 55L 5500 70L 7000				
	8' 8'	60L 6000 80L 8000 110L 11000 140L 14000				

Other lumen packages may be ordered in increments of 500lm from 3000 to 7000 lumens for 4' unit and increments of 1000lm from 6000 to 14000 lumens for 8' unit.

Ordering guide - PoE controls example: FSS440L840-LV-POE-IAO

Series	Length (nominal)	Lumens ² (nominal)	Color temp. (K)	Voltage	Driver	Options
FSS						
FSS FluxStream Strip	4' 4'	30L 3000 40L 4000 60L 6000	830 80 CRI, 3000K 835 80 CRI, 3500K 840 80 CRI, 4000K 850 80 CRI, 5000K	LV Low voltage	POE Power over ethernet	IAO Interact PoE daylighting and occupancy sensor, enables wired connected lighting control EMPOE ¹⁶ 600lm integral emergency driver and battery pack. PAF Paint after fabrication for extra corrosion resistance (white) BK Matte black paint color ST Satin aluminum paint color IAOSB Interact Pro wireless sensor with occupancy, daylight, and environmental sensing capabilities
	8' 8'	60L 6000				

- 8' is tandem (2) 4' lenses with single piece 8' body.
- Nominal delivered lumens at 25°C ambient.
- Not available in 3' model.
- XDIM option only available with 120V.
- 347V with EMLED only available in 8' models.
- Not available in 2' or 3' model.
- Not available in 4' 70L model or 8' 140L model.
- DALI available up to 80L models only, consult factory for other options.
- EMLED on 8' models illuminates 4' section in emergency mode.
- Available with DIM driver option only.
- Integral controls options dimmable to 5% via wireless wall switch. Non-integral controls configurations are 0-10V dimmable to 1%.
- Must be installed in conjunction with a UL1008 device.
- Only ordered with an Interact integral sensing option.
- High bay motion detector. Motion sensing zone is extremely limited if used below 15' mounting height.
- Must order IRT9015 Interact commissioning remote with each system order.
- EMLED on 8' models illuminates 4' section in emergency mode.
- ER100 options not available in 2'. 3' only has availability when selecting UNV.
- Failure to properly select the "BAC" suffix could result in you receiving product that is not BAA compliant product with no recourse for an RMA or refund. This BAC designation hereunder does not address (i) the applicability of, or availability of a waiver under, the Trade Agreements Act, or (ii) the "Buy America" domestic content requirements imposed on states, localities, and other non-federal entities as a condition of receiving funds administered by the Department of Transportation or other federal agencies.
- Consult Signify to confirm whether specific accessories are BAA-compliant.

Accessories¹⁹ (order separately)

- FSSD2L - 2' Diffuse replacement lens
 - FSSD3L - 3' Diffuse replacement lens
 - FSSD4L - 4' Diffuse replacement lens (order two for 8' models)
 - FSSWG4 - 4' wire guard (order two for 8' models)
 - FSTH - Sliding hanger bracket (set of two)
 - LSXR10 - Low bay PIR motion sensor, 120-277V (not available with PoE)
 - LSXR10ADC - Low bay PIR motion sensor with photocell and hi/lo trim dimming, 120-277V (not available with PoE)
 - FSSDEK - Decorative plastic end cap (set of two)
- (See last page for details and more options)

SWZCS accessories¹⁹ (order separately)

- IRT9015 - handheld remote for grouping and configuration (at least one remote required for any SWZCS installation).

General notes

Many luminaire components, such as reflectors, refractors, lenses, sockets, lampholders, and LEDs are made from various types of plastics which can be adversely affected by airborne contaminants. If sulfur based chemicals, petroleum based products, cleaning solutions, or other contaminants are expected in the intended area of use, consult factory for compatibility.

PAF (Paint after fabrication) option is required for all products that will be used in a damp or humid location, such as under a canopy or covered parking area.



FSS FluxStream LED strip

2', 3', 4' and 8'

Features

- Compact design for installation in tight spaces.
- Frosted acrylic diffuser provides wide light distribution and superior glare control.
- Diffuser and LED plate snap into place allowing tool-free access to LED boards and driver.
- 2', 3', 4' and 8' tandem lengths available to accommodate many field applications.
- Up to 100,000 hour predicted L70 LED lumen maintenance provides long service life to reduce maintenance costs.
- Can be surface mounted on ceilings or walls, or suspended via chain, pendants or cables.
- Wall mountable – ADA compliant.
- Ideal for cold applications (-20°C).
- Continuous row mounting using standard end caps. No extra parts needed.
- 7/8" knock out provided at each end and on base of luminaire. Note: Center knockout is covered and not useable in 4' version with EMLED option.
- Multiple driver options available with 0-10V as standard.
- Enclosed lens minimizes penetration of dust, insects, and other debris into the LED compartment.

- 8' tandem unit is two 4' optical assemblies with a center mullion on a single full length chassis.
- Integral controls options include sensor mounted in control module extension mounted on fixture end (see dimension drawing).
- Fluxstream luminaires are Designlights Consortium® qualified. Please see the DLC QPL list for exact catalog numbers www.designlights.org/QPL.
- 5 year manufacturer's limited warranty. Visit signify.com/warranties for complete warranty information.

Finish

- Baked white acrylic matte high reflectance paint finish.
- PAF (Paint after fabrication) option, which is required for all products that will be used in damp or humid locations, such as a canopy or covered parking area, provides extra corrosion resistance.

Shielding

- Contoured frosted acrylic lens.

Electrical

- LED boards and drivers are RoHS (Restriction of Hazardous Substances) compliant. Total system life rated at 50,000 hours. Predicted L70 lifetime based on LED manufacturer's supplied LM-80 data and in-situ laboratory testing.
- Integral emergency driver with EMLED option. To estimate lumen output in emergency mode, multiply emergency pack wattage by efficacy, then by 1.10.
- The GTD/E option is used to bypass wall switches and allow luminaire operation on auxiliary power. Generator transfer requires installation in conjunction with a UL1008 listed device.
- The GTD/SNSR option is used to bypass integrated sensor control in the event of utility power loss. Generator transfer requires installation in conjunction with a UL1008 listed device.

Materials

- Heavy gauge cold rolled steel housing, LED plate, and end caps.

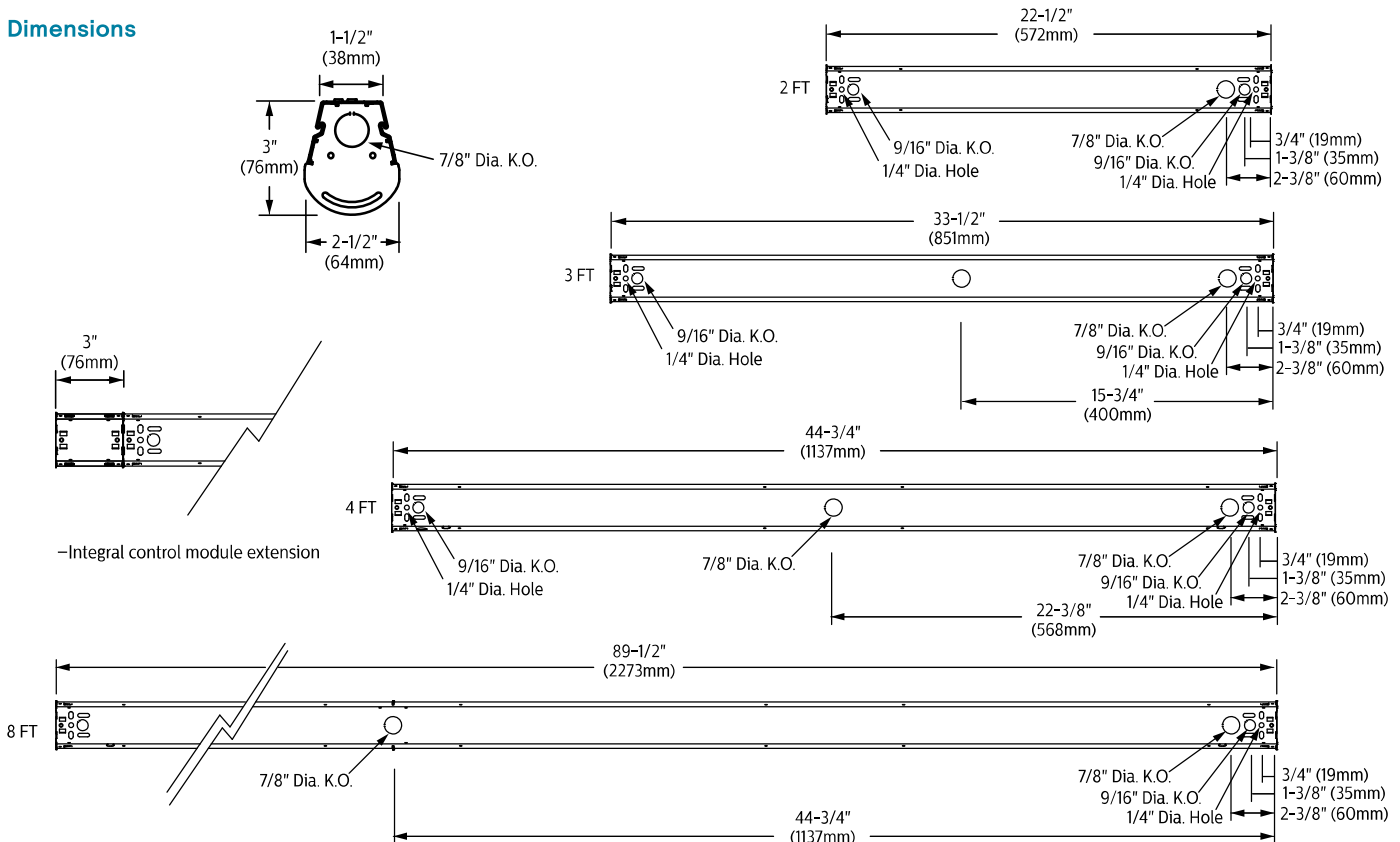
Labels

- cETLus listed.
- Suitable for damp locations.

Ambient temperature data

Configuration	Ambient
FSS470L	-20°C to 30°C
FSS8110L	-20°C to 35°C
FSS8140L	-20°C to 25°C
EMLED option	Minimum 0°C
All others	-20°C to 40°C

Dimensions



FSS FluxStream LED strip

2', 3', 4' and 8'

Wireless Controls Options

SpaceWise DT (SWZDT)

- Standalone daylight and occupancy sensing with advanced grouping, wireless mesh networking and dwell time.
- Commissioning via compatible Android phone and Philips Field App
- Dimming via compatible Zigbee wireless wall switch only (see link below for details)
- Register for the commissioning app at <http://registration.componentcloud.philips.com/appregistration/>
- Integral sensing options may not be combined
- For more information including recommended switches, refer to the following: -

SWZDT - www.usa.lighting.philips.com/systems/lighting-systems/spacewise

Emergency Options (ER100)

- Power Sensing (Factory default) - Recommended UL924 option requires unswitched power sense line, absence of voltage on the normal circuit triggers luminaire to 100% output
- Power Interruption Detection (Field option) - Detects AC power interruption >30ms triggers 90 minute emergency mode with luminaire at 100% output
- 347V requires step-down transformer and must be ordered indicating Power Sensing or Power Interruption Detection.

FluxStream strip shown with integral sensor



Interact Pro scalable sensor for Foundation, Advanced & Enterprise tiers (SWZCS/SWZCSH and an evolution of SpaceWise)

- SWZCS/SWZCSH is a connected sensor with integral occupancy and daylight sensing and supports wireless mesh connectivity.
- The sensor works in the Foundation mode (similar to SpaceWise) when configured without a gateway or in an Interact Pro Advanced or Enterprise mode if a compatible gateway is used.
- Interact Pro includes an App, a portal and a broad portfolio of wireless luminaires, lamps and retrofit kits all working on the same system.
- Startup is implemented via Interact Pro App (Android or iPhone) & BlueTooth connectivity. The App provides flexibility to choose between a gateway or non gateway mode for setup.
- Setup with the gateway requires wired internet access to the gateway. It is possible to add a gateway at a later point.
- Prepare project configuration steps remotely and use IRT9015 remote onsite to identify and group devices together.
 - Compatible with:
 - SWS200 wireless scene switch
 - Battery powered IP42 presence sensor OCC sensor IA CM WH 10/1
 - Battery powered IP42 presence & daylight sensor OCC-DL sensor IA CM IP42 WH
 - LCN3110: Battery powered IP65 presence sensor, OCC sensor IA CM IP65WH
 - LCN3120: Battery powered IP65 presence & daylight sensor, OCC-DL sensor IA CM IP65 WH
- For more information on Interact Pro visit: www.interact-lighting.com/interactproscalablesystem

Radio only sensor (RADIO)

- Integral RADIO only sensor simply enables wireless mesh connectivity to the luminaire without any occupancy or daylight sensing.
- Ideal for applications where sensing functionality is managed by other Interact devices and the luminaire only needs to have wireless connectivity.

Interact Pro scalable sensor bundles for Enterprise tier

- IAOSB option in addition to occupancy and daylight sensing supports advanced IoT capabilities such as people estimation analysis, desk level temperature & humidity sensing, noise classification, and BLE beacon.
- Compatible with SWS200 wireless scene switch and Interact Ready wireless battery powered sensors.
- Use Interact software and insights to increase building efficiency, achieve building wide integration and optimize space through occupancy analytics.
- Requires compatible Gateway and internet connectivity for commissioning.
- For more information, visit: www.interact-lighting.com/office or www.usa.lighting.philips.com/systems/system-areas/offices

Wired Controls Options

Interact PoE

- PoE based IoT connected lighting solution for large enterprises that span across multiple floors, buildings and require multiple gateways.
- Use Interact software and insights to increase building efficiency, achieve building wide integration and optimize space through occupancy analytics.
- IAOSB option in addition to occupancy and daylight sensing supports advanced IoT capabilities such as people estimation analysis, desk level temperature & humidity sensing, noise classification, and BLE beacon.
- PoE lighting controller is accessible from below.
- Integral sensor option for occupancy sensing (PIR) and/or daylight harvesting available for additional energy savings.
- Optional integral emergency controller and battery pack provides 600lm nominal output. Test switch and indicator light mounted on side of chassis on one end.
- Emergency battery has a 3 month pre-installed shelf life, and must be stored and installed in environments of 20C to 30C (-4F to 86F) ambient, and 45-85% relative humidity.
- For more information, visit: www.interact-lighting.com/office or www.usa.lighting.philips.com/systems/system-areas/offices

FSS FluxStream LED strip

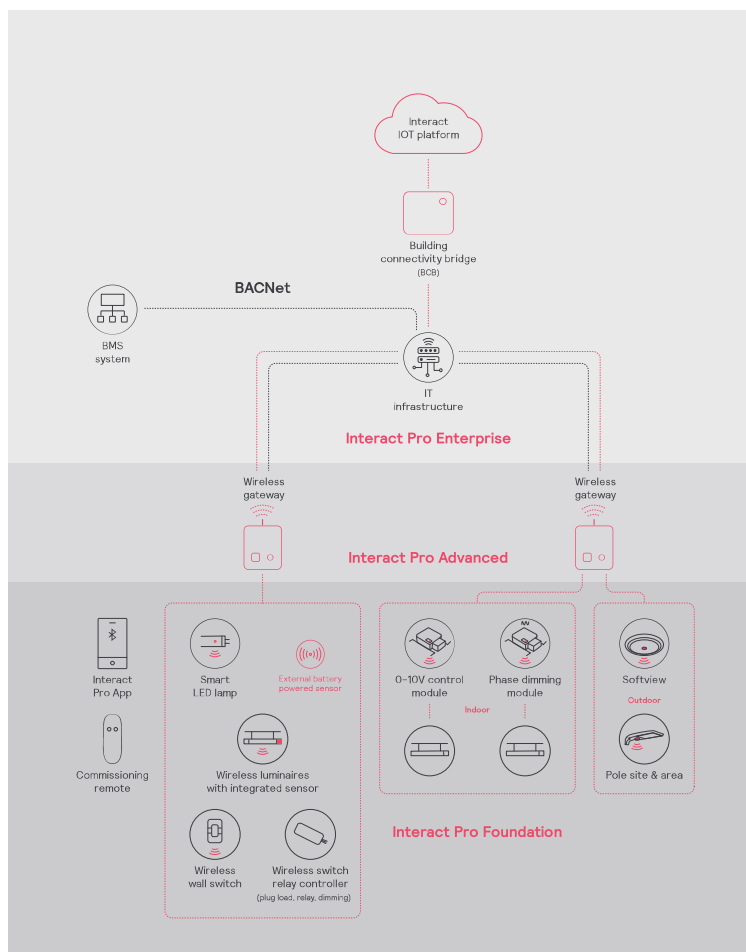
2', 3', 4' and 8'

Interact Pro scalable system			
	Foundation	Advanced	Enterprise
Dimming, grouping, and zoning	✓	✓	✓
Bluetooth and ZigBee enabled	✓	✓	✓
Motion sensing and daylight harvesting	✓	✓	✓
Integration with 0-10V and phase dimming fixtures	✓	✓	✓
Code compliance	✓	✓	✓
Granular dimming and dwell time	✓	✓	✓
Energy reporting and monitoring		✓	✓
Scheduling		✓	✓
Demand response		✓	✓
BMS integration (BACnet)			✓
Floor plan visualization			✓
IoT sensors for wellness			✓
IoT Apps for productivity			✓

Currently supported maximum system size

To be able to design the lighting system correctly for the customer, it is important to know the prime characteristics of the system, its possibilities and limitations.

System level	
Total number of gateways	Unlimited
Total number of devices	200 per network
• luminaires with integrated sensors	150
• smart TLEDs	150
Total number of ZGP devices (sensors and switches)	50
• sensors	30
• switches	50
• zones and groups	64
Group level	
Recommended number of lights	40 (recommended 25)
Number of ZGP devices	5
Number of scenes	16



FSS FluxStream LED strip

2', 3', 4' and 8'

Photometry Test List

Catalog No.	Delivered Lumens	Input Watts	Efficacy
FSS220L830-UNV-DIM	1916	17.1	112
FSS230L830-UNV-DIM	2789	24.6	113
FSS330L830-UNV-DIM	2911	24.4	119
FSS430L830-UNV-DIM	2803	21.8	129
FSS440L830-UNV-DIM	3812	29.9	127
FSS455L830-UNV-DIM	5158	41.2	125
FSS470L830-UNV-DIM	6567	54.1	121
FSS860L830-UNV-DIM	5598	43.7	128
FSS880L830-UNV-DIM	7612	60.0	127
FSS810L830-UNV-DIM	10301	82.6	125
FSS8140L830-UNV-DIM	13114	108.5	121

Catalog No.	Delivered Lumens	Input Watts	Efficacy
FSS220L835-UNV-DIM	1994	17.1	117
FSS230L835-UNV-DIM	2903	24.6	118
FSS330L835-UNV-DIM	2850	23.9	119
FSS430L835-UNV-DIM	2917	21.8	134
FSS440L835-UNV-DIM	3967	29.9	133
FSS455L835-UNV-DIM	5368	41.2	130
FSS470L835-UNV-DIM	6834	54.1	126
FSS860L835-UNV-DIM	5826	43.7	133
FSS880L835-UNV-DIM	7922	60.0	132
FSS810L835-UNV-DIM	10720	82.6	130
FSS8140L835-UNV-DIM	13647	108.5	126

Catalog No.	Delivered Lumens	Input Watts	Efficacy
FSS220L840-UNV-DIM	2049	17.1	120
FSS230L840-UNV-DIM	2983	24.6	121
FSS330L840-UNV-DIM	2991	24.5	122
FSS430L840-UNV-DIM	2998	21.8	138
FSS440L840-UNV-DIM	4077	29.9	136
FSS455L840-UNV-DIM	5517	41.2	134
FSS470L840-UNV-DIM	7023	54.1	130
FSS860L840-UNV-DIM	5987	43.7	137
FSS880L840-UNV-DIM	8141	60.0	136
FSS810L840-UNV-DIM	11017	82.6	133
FSS8140L840-UNV-DIM	14025	108.5	129

Catalog No.	Delivered Lumens	Input Watts	Efficacy
FSS220L850-UNV-DIM	2059	17.1	120
FSS230L850-UNV-DIM	2998	24.6	122
FSS430L850-UNV-DIM	3013	21.8	138
FSS440L850-UNV-DIM	4097	29.9	137
FSS455L850-UNV-DIM	5544	41.2	135
FSS470L850-UNV-DIM	7057	54.1	130
FSS860L850-UNV-DIM	6017	43.7	138
FSS880L850-UNV-DIM	8181	60.0	136
FSS810L850-UNV-DIM	11071	82.6	134
FSS8140L850-UNV-DIM	14094	108.5	130

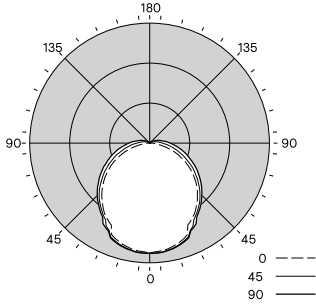
FSS FluxStream LED strip

2', 3', 4' and 8'

Photometry

FSS220L840-UNV-DIM

Luminaire Lumens 2049
Luminaire Efficacy Rating (LER) 120
Total Luminaire Watts 17.1
Spacing Criterion (0-180) 1.24
Spacing Criterion (90-270) 1.36



Candela Distribution						
	0	22.5	45	67.5	90	Lumens
0	643	643	643	643	643	
5	634	639	642	645	644	61
15	611	616	622	625	626	175
25	529	541	561	567	569	259
35	470	478	486	494	497	304
45	394	401	417	427	432	320
55	306	314	332	351	359	297
65	208	219	247	274	283	244
75	104	126	166	200	211	172
85	18	53	101	136	148	103
90	0	30	75	109	120	
95	0	16	54	85	96	56
105	0	5	27	50	58	30
115	0	2	14	28	33	15
125	0	1	8	15	18	7
135	0	1	3	8	10	3
145	0	0	1	3	3	1
155	0	0	1	1	2	0
165	0	0	0	0	0	0
175	0	0	0	0	0	0
180	0	0	0	0	0	

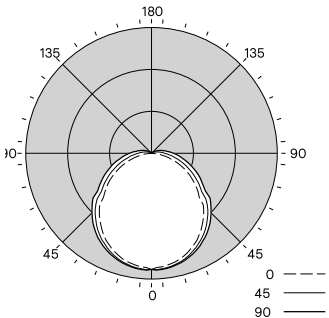
Zonal Lumen Summary			
Zone	Lumens	%Fixture	%Lamp
0-30	495	24.2%	24.2%
0-40	799	39.0%	39.0%
0-60	1416	69.1%	69.1%
0-90	1935	94.5%	94.5%
90-130	109	5.3%	5.3%
90-150	113	5.5%	5.5%
90-180	114	5.5%	5.5%
0-180	2049	100.0%	100.0%

Avg. Luminance (cd/m ²)			
	0	45	90
45	16078	13361	12955
55	15126	11869	11761
65	13546	10324	10590
75	10480	8705	9540
85	4160	7313	8765

Coefficients of Utilization %											
Pc---	80				70			50			0
Pw---	70	50	30	10	70	50	30	50	30	10	0
RCR											
0	118	118	118	118	114	114	114	108	108	108	94
1	106	100	96	91	103	98	93	92	89	85	76
2	96	87	79	73	93	84	78	80	74	69	62
3	87	76	67	60	84	74	66	70	63	58	52
4	80	67	58	51	77	65	57	62	55	49	44
5	73	60	51	44	71	58	50	56	48	42	38
6	67	54	45	38	65	53	44	50	43	37	33
7	63	49	40	34	60	48	39	46	38	33	29
8	58	44	36	30	56	44	35	42	34	29	26
9	54	41	32	27	53	40	32	38	31	26	23
10	51	38	30	24	49	37	29	36	29	24	21

FSS330L840-UNV-DIM

Luminaire Lumens 2991
Luminaire Efficacy Rating (LER) 122
Total Luminaire Watts 24.5
Spacing Criterion (0-180) 1.22
Spacing Criterion (90-270) 1.32



Candela Distribution						
	0	22.5	45	67.5	90	Lumens
0	925	925	925	925	925	
5	907	915	923	930	927	88
15	871	880	893	904	902	251
25	802	812	831	847	850	382
35	702	717	743	765	771	463
45	583	599	633	661	670	483
55	421	437	473	508	521	428
65	284	304	350	395	412	346
75	143	174	237	290	307	245
85	26	73	143	197	215	147
90	0	41	106	157	175	
95	0	21	76	123	139	80
105	0	6	37	71	83	42
115	0	2	17	37	45	20
125	0	1	7	18	23	9
135	0	0	4	9	11	4
145	0	0	2	5	7	2
155	0	0	1	2	4	1
165	0	0	0	0	1	0
175	0	0	0	0	0	0
180	0	0	0	0	0	

Zonal Lumen Summary			
Zone	Lumens	%Fixture	%Lamp
0-30	721	24.1%	24.1%
0-40	1185	39.6%	39.6%
0-60	2095	70.0%	70.0%
0-90	2834	94.8%	94.8%
90-130	151	5.0%	5.0%
90-150	156	5.2%	5.2%
90-180	157	5.2%	5.2%
0-180	2991	100.0%	100.0%

Avg. Luminance (cd/m ²)			
	0	45	90
45	16262	13770	13535
55	14287	11502	11498
65	12834	9994	10388
75	10118	8488	9361
85	4505	7192	8613

Coefficients of Utilization %											
Pc---	80				70			50			0
Pw---	70	50	30	10	70	50	30	50	30	10	0
RCR											
0	118	118	118	118	114	114	114	108	108	108	95
1	106	101	96	92	103	98	93	93	89	86	76
2	96	87	80	74	93	85	78	80	75	70	63
3	87	76	68	61	84	74	66	70	64	58	52
4	80	67	58	51	77	66	57	62	55	49	44
5	73	60	51	44	71	59	50	56	48	43	38
6	68	54	45	38	65	53	44	50	43	37	33
7	63	49	40	34	61	48	39	46	38	33	30
8	58	45	36	30	56	44	35	42	35	29	26
9	55	41	33	27	53	40	32	39	31	26	24
10	51	38	30	24	50	37	29	36	29	24	21

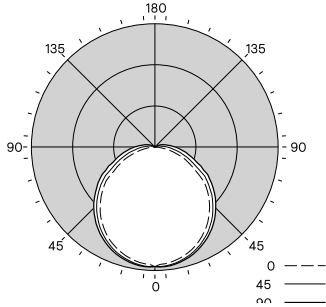
FSS FluxStream LED strip

2', 3', 4' and 8'

Photometry

FSS440L840-UNV-DIM

Luminaire Lumens 4077
Luminaire Efficacy Rating (LER) 136
Total Luminaire Watts 29.9
Spacing Criterion (0-180) 1.24
Spacing Criterion (90-270) 1.32



Candela Distribution							Lumens
	0	22.5	45	67.5	90		
0	1259	1259	1259	1259	1259		
5	1233	1248	1256	1265	1264	119	
15	1186	1202	1215	1228	1228	342	
25	1096	1114	1132	1151	1154	521	
35	969	988	1015	1040	1047	634	
45	811	832	867	898	910	667	
55	629	650	694	734	750	617	
65	399	423	477	547	568	481	
75	203	240	315	377	399	327	
85	38	95	182	247	269	187	
90	0	50	130	192	214		
95	0	24	90	146	167	96	
105	0	6	40	80	94	47	
115	0	2	18	40	49	22	
125	0	1	10	20	25	10	
135	0	1	5	11	14	5	
145	0	1	3	5	8	2	
155	0	1	2	3	5	1	
165	0	1	1	1	1	0	
175	0	0	0	0	0	0	
180	0	0	0	0	0		

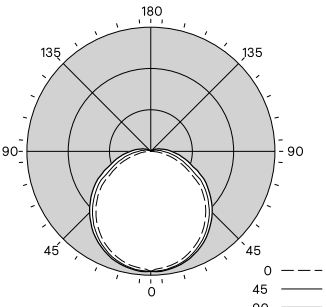
Zonal Lumen Summary			
Zone	Lumens	%Fixture	%Lamp
0-30	983	24.1%	24.1%
0-40	1617	39.7%	39.7%
0-60	2900	71.1%	71.1%
0-90	3895	95.5%	95.5%
90-130	174	4.3%	4.3%
90-150	181	4.4%	4.4%
90-180	182	4.5%	4.5%
0-180	4077	100.0%	100.0%

Avg. Luminance (cd/m²)			
	0	45	90
45	17180	14281	13846
55	16265	12783	12498
65	13799	10335	10800
75	11102	8598	9173
85	5376	6959	8126

Coefficients of Utilization %												
Pc---	80				70				50			
Pw---	70	50	30	10	70	50	30	50	30	10	0	
RCR												
0	118	118	118	118	115	115	115	109	109	109	96	
1	106	101	96	92	103	98	94	93	90	86	77	
2	96	87	80	74	93	85	78	81	75	70	63	
3	88	76	68	61	85	74	67	71	64	59	53	
4	80	68	58	51	77	66	57	63	55	50	45	
5	73	60	51	44	71	59	50	56	49	43	39	
6	68	54	45	38	66	53	44	51	43	37	34	
7	63	49	40	34	61	48	39	46	38	33	30	
8	58	45	36	30	57	44	36	42	35	29	26	
9	55	41	33	27	53	40	32	39	31	26	24	
10	51	38	30	24	50	37	29	36	29	24	21	

FSS880L840-UNV-DIM

Luminaire Lumens 8141
Luminaire Efficacy Rating (LER) 136
Total Luminaire Watts 60
Spacing Criterion (0-180) 1.24
Spacing Criterion (90-270) 1.32



Candela Distribution							Lumens
	0	22.5	45	67.5	90		
0	2515	2515	2515	2515	2515		
5	2462	2493	2508	2526	2524	238	
15	2368	2400	2427	2452	2453	684	
25	2188	2224	2261	2298	2305	1041	
35	1935	1973	2027	2076	2091	1265	
45	1620	1661	1731	1792	1816	1331	
55	1256	1298	1385	1466	1499	1231	
65	797	845	953	1093	1134	960	
75	405	480	630	754	797	653	
85	76	189	363	493	537	374	
90	0	99	259	383	427		
95	0	48	181	292	333	191	
105	0	12	81	159	188	94	
115	0	4	36	79	98	43	
125	0	2	19	41	50	20	
135	0	2	9	23	28	9	
145	0	1	6	11	15	4	
155	0	1	4	5	9	2	
165	0	2	2	2	3	1	
175	0	1	1	0	0	0	
180	0	0	0	0	0		

Zonal Lumen Summary			
Zone	Lumens	%Fixture	%Lamp
0-30	1963	24.1%	24.1%
0-40	3228	39.7%	39.7%
0-60	5791	71.1%	71.1%
0-90	7778	95.5%	95.5%
90-130	348	4.3%	4.3%
90-150	361	4.4%	4.4%
90-180	364	4.5%	4.5%
0-180	8141	100.0%	100.0%

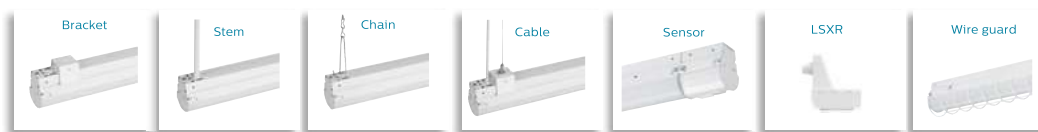
Avg. Luminance (cd/m²)			
	0	45	90
45	17337	14344	13825
55	16487	12861	12479
65	14090	10422	10784
75	11515	8699	9160
85	5958	7083	8113

Coefficients of Utilization %												
Pc---	80				70				50			
Pw---	70	50	30	10	70	50	30	50	30	10	0	
RCR												
0	118	118	118	118	115	115	115	109	109	109	96	
1	106	101	96	92	103	98	94	93	90	86	77	
2	96	87	80	74	93	85	78	81	75	70	63	
3	88	76	68	61	85	74	67	71	64	59	53	
4	80	68	58	51	77	66	57	63	55	50	45	
5	73	60	51	44	71	59	50	56	49	43	39	
6	68	54	45	38	66	53	44	51	43	37	34	
7	63	49	40	34	61	48	39	46	38	33	30	
8	58	45	36	30	57	44	36	42	35	29	26	
9	55	41	33	27	53	40	32	39	31	26	24	
10	51	38	30	24	50	37	29	36	29	24	21	

FSS FluxStream LED strip

2', 3', 4' and 8'

Accessories¹⁹



Accessory Catalog Code	Description
FSTH	Sliding hanger bracket (pair)
SV5F12	12" Stem and canopy kit
SV5F18	18" Stem and canopy kit
SV5F24	24" Stem and canopy kit
SV5F36	36" Stem and canopy kit
SV5F48	48" Stem and canopy kit
FKR-126	Chain hanger set (pair)
DACHxx	Adjustable cable hanger kit (single)
DACHxx-1-SC	Adjustable cable hanger kit with white straight 18/3 cord (single)
DACHxx-1-CC	Adjustable cable hanger kit with white coiled 18/3 cord (single)
DACHxx-2-SC	Adjustable cable hanger kit with white straight 18/4 cord (single)
DACHxx-2-CC	Adjustable cable hanger kit with white coiled 18/4 cord (single)
DACHxx-1D-SC	Adjustable cable hanger kit with white straight 18/5 cord with dimming leads (single)
LSXR10	Low bay pir motion sensor (120-277v)
LSXR10ADC	Low bay pir motion sensor with photocell and hi/lo trim dimming (120-277v)
FSSWG4	4' Wire guard (order two for 8' models)
FSSD2L	2' Diffuse replacement lens
FSSD3L	3' Diffuse replacement lens
FSSD4L	4' Diffuse replacement lens (order two for 8' models)
FSSDEK	Decorative plastic end cap (set of two)

White stem and canopy kit, 1/4" trade size (1/2" O.D.) locknuts included. Works with 9/16" k.O. on base of housing.

Includes two 5' heavy duty link chains with "V" hooks. Attaches to base of housing.

Works with 1/4" hole on base of housing or FSTH hanger bracket.

xx=cable length in inches, enter 48" to 180" lengths in 12" increments

¹⁹ Consult Signify to confirm whether specific accessories are BAA-compliant.

