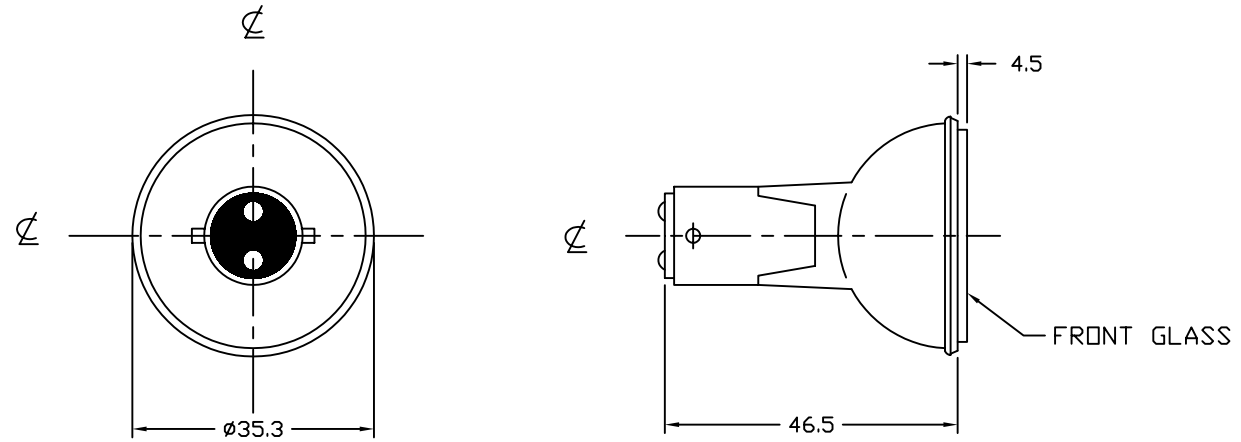


REVISIONS			
REV	DESCRIPTION	DATE	APPROVED



NOTES:

1. ALL DIMENSIONS ARE IN MM.
2. SEAL TEMP: SHOULD BE MAINTAINED BELOW 350°C
3. THE DIMENSIONS AND SPECIFICATIONS OF PRODUCT LISTED IN THIS SHEET ARE SUBJECT TO CHANGE WITHOUT NOTICE FOR IMPROVEMENT.

CHARACTERISTICS	
VOLTAGE	12 V
WATTAGE	20 W
COLOR TEMP.	2900 K
MAX CP	4000 cd
BASE TYPE	BA15D
AVERAGE LIFE	2000 HRS
FILAMENT TYPE	C-6
BURN POSITION	ANY

ITEM	QTY	DESCRIPTION	CODE IDENT	PART NUMBER	REMARKS
LIST OF MATERIALS					
UNLESS OTHERWISE SPECIFIED DIMENSIONS ARE IN INCHES DECIMALS .X ± - .XX ± - .XXX ± - ANGLES ± - DRILLED HOLES PER AND 10387 REMOVE BURRS AND SHARP EDGES ALL DIMENSIONS AFTER PLATING			CONTRACT NO.		USHIO AMERICA, INC. 10550 Camden Dr. Cypress, CA 90630
MATERIAL COMPOSITE			APPROVALS	DATE	
FINISH			DRAWN	R.AMPARO	08/17/99
			CHKD	D.GILCZYNSKI	08/17/99
			ENGR		
			MFG		
			QUAL		
			DSGN ACTVY		
			GOVT ACTVY		
		NEXT ASSY	USED ON	SIZE	CODE IDENT NO.
APPLICATION				B	FSS
				SCALE	WEIGHT
				NONE	
				DWG NO.	1000608
				SHEET	1 OF 1

D
C
B
A

D
C
B
A

4
3
2
1