

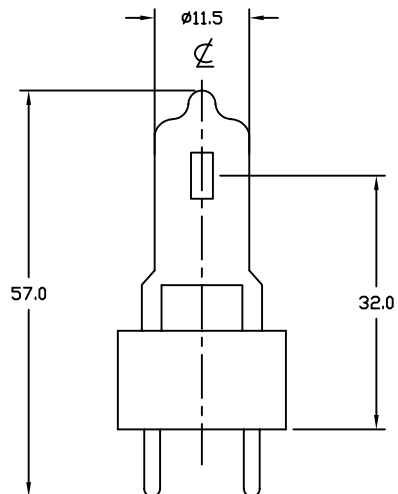
4

3

DWG NO. 1000605 SH 1

1

REVISIONS			
REV	DESCRIPTION	DATE	APPROVED



NOTES:

1. ALL DIMENSIONS ARE IN MM.
2. SEAL TEMP: SHOULD BE MAINTAINED BELOW 350°C
3. THE DIMENSIONS AND SPECIFICATIONS OF PRODUCT LISTED IN THIS SHEET ARE SUBJECT TO CHANGE WITHOUT NOTICE FOR IMPROVEMENT.

ITEM	QTY	DESCRIPTION	CODE IDENT	PART NUMBER	REMARKS
LIST OF MATERIALS					
UNLESS OTHERWISE SPECIFIED DIMENSIONS ARE IN INCHES DECIMALS .X ± - .XX ± - .XXX ± - ANGLES ± - DRILLED HOLES PER AND 10387 REMOVE BURRS AND SHARP EDGES ALL DIMENSIONS AFTER PLATING		CONTRACT NO.		USHIO AMERICA, INC. 5440 Cerritos Avenue Cypress, CA 90630	
MATERIAL COMPOSITE		APPROVALS			
FINISH		DATE		TITLE FSH JCV120V-125WB	
		DRAWN R.AMPARO 09/02/99			
		CHKD D.GILCZYNSKI 09/02/99		SIZE B CODE IDENT NO. FSH DWG NO. 1000605	
		ENGR			
		MFG		SCALE NONE WEIGHT SHEET 1 OF 1	
		QUAL			
		DSGN ACTVY		1	
		GOVT ACTVY			

CHARACTERISTICS	
VOLTAGE	120 V
WATTAGE	125 W
TOTAL LUMEN	2500 Lm
COLOR TEMP.	3200 K
BASE TYPE	G5.3
AVERAGE LIFE	200 HRS
FILAMENT TYPE	CC-8
BURN POSITION	BD/Hor

NEXT ASSY	USED ON

APPLICATION

A

3

2

1

CAD