

4

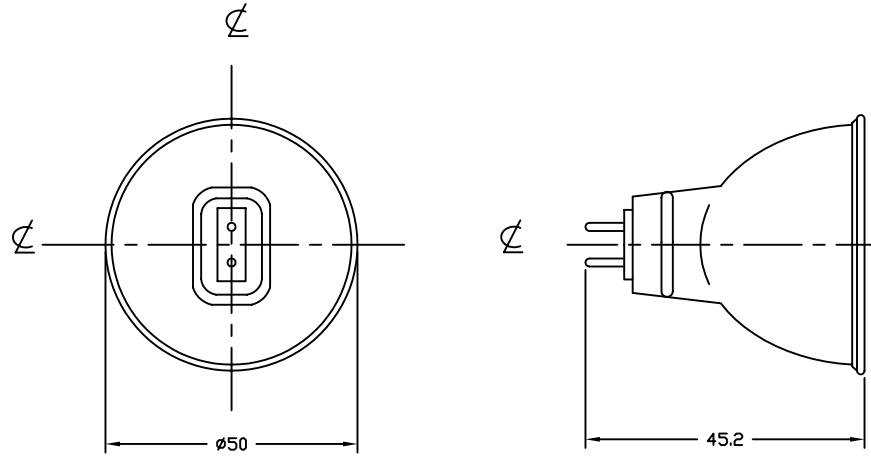
3

DWG NO. 1000580 SH 1

1

REVISIONS

REV	DESCRIPTION	DATE	APPROVED
-----	-------------	------	----------



NOTES:

1. ALL DIMENSIONS ARE IN MM.
2. SEAL TEMP: SHOULD BE MAINTAINED BELOW 350°C
3. THE DIMENSIONS AND SPECIFICATIONS OF PRODUCT LISTED IN THIS SHEET ARE SUBJECT TO CHANGE WITHOUT NOTICE FOR IMPROVEMENT.

ITEM	QTY	DESCRIPTION	CODE IDENT	PART NUMBER	REMARKS	
LIST OF MATERIALS						
UNLESS OTHERWISE SPECIFIED DIMENSIONS ARE IN INCHES DECIMALS .X ± - .XX ± - .XXX ± - ANGLES ± - DRILLED HOLES PER AND 10387 REMOVE BURRS AND SHARP EDGES ALL DIMENSIONS AFTER PLATING			CONTRACT NO.		USHIO AMERICA, INC. 5440 Cerritos Avenue Cypress, CA 90630 TITLE FNC/FG JR12V-50W/FG	
			APPROVALS			DATE
DRAWN		R.AMPARO		09/07/99		
CHKD		D.GILCZYNSKI		09/07/99		
ENGR						
MFG						
QUAL						
DSGN ACTVY						
GOV'T ACTVY						
MATERIAL			SIZE			
COMPOSITE			B			
FINISH			CODE IDENT NO.			
			FNC			
			DWG NO.			
			1000580			
APPLICATION			SCALE			
			NONE			
			WEIGHT			
			SHEET			
			1 OF 1			

CHARACTERISTICS	
VOLTAGE	12 V
WATTAGE	50W
BEAM ANGLE	12°
AVERAGE LIFE	4000 HRS
BASE TYPE	GU5.3
MAX CP	13000 cd
FILAMENT TYPE	C-8
BURN POSITION	Any

A

3

2

1

CAD