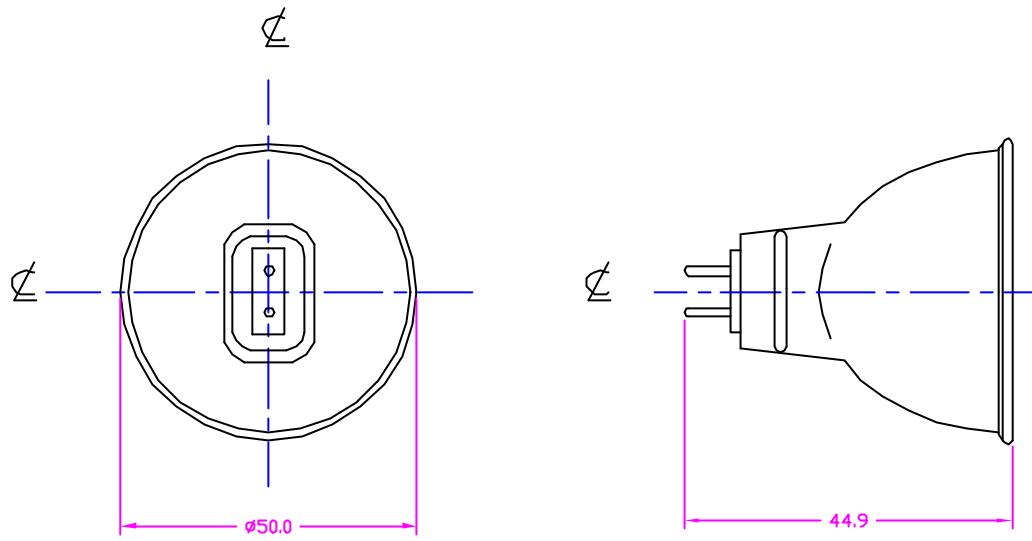


REVISIONS			
REV	DESCRIPTION	DATE	APPROVED



NOTES:

1. ALL DIMENSIONS ARE IN MM UNLESS OTHERWISE SPECIFIED.
2. SEAL TEMP SHOULD BE MAINTAINED BELOW 350°C.
3. THE DIMENSIONS AND SPECIFICATIONS OF PRODUCT LISTED IN THIS SHEET ARE SUBJECT TO CHANGE WITHOUT NOTICE FOR IMPROVEMENT.

CHARACTERISTICS	
VOLTAGE	12 V
WATTAGE	35 W
COLOR TEMP	2950 K
AVERAGE LIFE	4000 HRS
BASE TYPE	GU5.3
BEAM ANGLE	36°
FILAMENT TYPE	C-B
BURN POSITION	Any

ITEM	QTY	DESCRIPTION	CODE IDENT	PART NUMBER	REMARKS
LIST OF MATERIALS					
UNLESS OTHERWISE SPECIFIED DIMENSIONS ARE IN INCHES		CONTRACT NO.		USHIO AMERICA, INC. 10550 Camden Dr. Cypress, CA 90630 TITLE FMW, JR12V-35W/FL HALOGEN LAMP	
DECIMALS .X ± -		APPROVALS			
.XX ± -		DATE			
.XXX ± -		DRAWN R.AMPARO 09/07/99			
ANGLES ± -		CHKD D.GILCZYNSKI 09/07/99		SIZE	
DRILLED HOLES PER AND 10387		ENGR		CODE IDENT NO. FMW	
REMOVE BURRS AND SHARP EDGES		MFG		DWG NO. 1000564	
ALL DIMENSIONS AFTER PLATING		QUAL		SCALE NONE	
MATERIAL COMPOSITE		DSGN ACTVY		WEIGHT	
FINISH		GOV'T ACTVY		SHEET 1 OF 1	

4

3

1

D

D

C

C

B

B

A

A

4

3

2

1

CAD