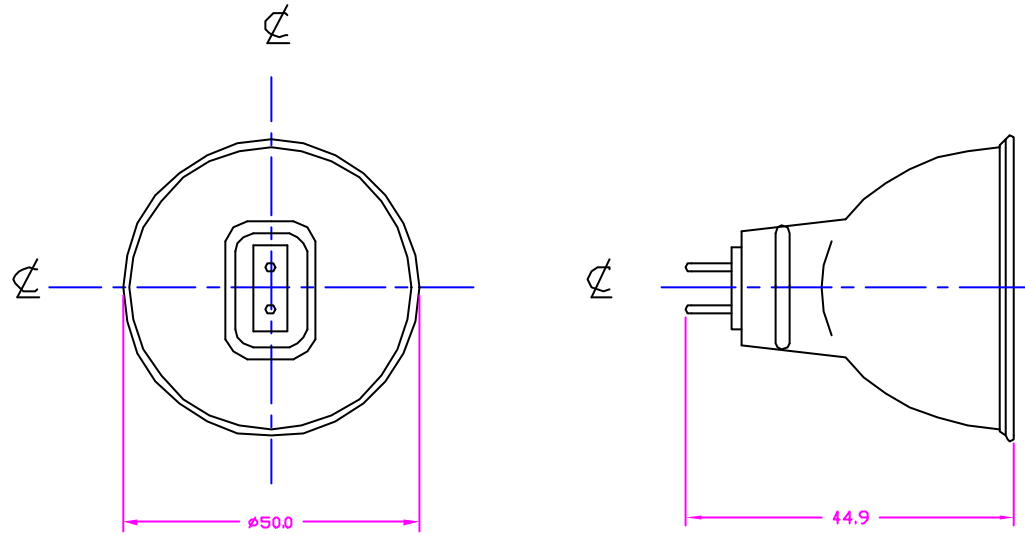


REVISIONS			
REV	DESCRIPTION	DATE	APPROVED



NOTES:

1. ALL DIMENSIONS ARE IN MM UNLESS OTHERWISE SPECIFIED.
2. SEAL TEMP SHOULD BE MAINTAINED BELOW 350°C.
3. THE DIMENSIONS AND SPECIFICATIONS OF PRODUCT LISTED IN THIS SHEET ARE SUBJECT TO CHANGE WITHOUT NOTICE FOR IMPROVEMENT.

CHARACTERISTICS	
VOLTAGE	12 V
WATTAGE	35 W
COLOR TEMP	2950 K
AVERAGE LIFE	4000 HRS
BASE TYPE	GJ5.3
BEAM ANGLE	12°
FILAMENT TYPE	C-8
BURN POSITION	Any

ITEM	QTY	DESCRIPTION	CODE IDENT	PART NUMBER	REMARKS
LIST OF MATERIALS					
UNLESS OTHERWISE SPECIFIED DIMENSIONS ARE IN INCHES		CONTRACT NO.		<b>USHIO AMERICA, INC.</b> 10560 Camden Dr. Cypress, CA 90630	
DECIMALS .X ± - .XX ± - .XXX ± -		APPROVALS			
ANGLES ± -		DATE		TITLE	
DRILLED HOLES PER AND 10307 REMOVE BURRS AND SHARP EDGES ALL DIMENSIONS AFTER PLATING		DRAWN			
MATERIAL		ENGR		FMT, JR12V-35W/NSP HALOGEN LAMP	
COMPOSITE		MFG			
FINISH		QUAL		SIZE	
NEXT ASSY		DSGN ACTVY		CODE IDENT NO.	
USED ON		GOVT ACTVY		DWG NO.	
APPLICATION		SCALE		WEIGHT	
		NONE		SHEET	
				1 OF 1	

4

3

1

D

D

C

C

B

B

A

A

4

3

2

1

CAD