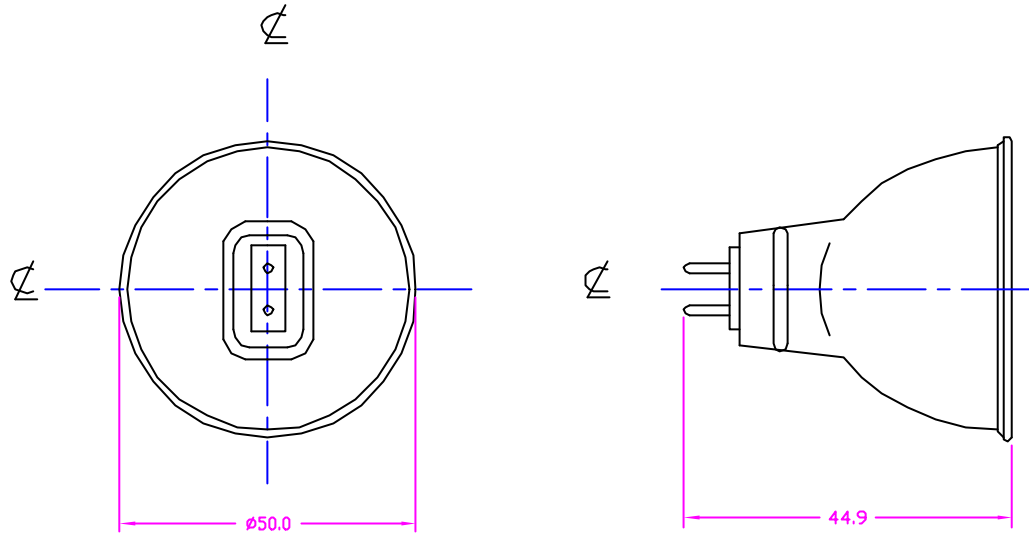


REVISIONS			
REV	DESCRIPTION	DATE	APPROVED



NOTES:

1. ALL DIMENSIONS ARE IN MM UNLESS OTHERWISE SPECIFIED
2. SEAL TEMP SHOULD BE MAINTAINED BELOW 350°C.
3. THE DIMENSIONS AND SPECIFICATIONS OF PRODUCT LISTED IN THIS SHEET ARE SUBJECT TO CHANGE WITHOUT NOTICE FOR IMPROVEMENT.

ITEM	QTY	DESCRIPTION	CODE IDENT	PART NUMBER	REMARKS
LIST OF MATERIALS					
UNLESS OTHERWISE SPECIFIED DIMENSIONS ARE IN INCHES DECIMALS .X ± - .XX ± - .XXX ± - ANGLES ± - DRILLED HOLES PER AND 10307 REMOVE BURRS AND SHARP EDGES ALL DIMENSIONS AFTER PLATING			CONTRACT NO.		USHIO AMERICA, INC. 10560 Camden Dr. Cypress, CA 90630
MATERIAL COMPOSITE			APPROVALS	DATE	
FINISH			DRAWN R.AMPARO	09/07/99	
			CHKD D.GILCZYNSKI	09/07/99	
			ENGR		TITLE FMT/C/A HALOGEN LAMP
			MFG		SIZE B
			QUAL		CODE IDENT NO. FMT
			DSGN ACTVY		DWG NO. 1000549
			GOVT ACTVY		SCALE NONE
					WEIGHT
					SHEET 1 OF 1

CHARACTERISTICS	
VOLTAGE	12 V
WATTAGE	35 W
COLOR TEMP	2950 K
AVERAGE LIFE	3500 HRS
BASE TYPE	GU5.3
BEAM ANGLE	12°
FILAMENT TYPE	C-B
BURN POSITION	Any

NEXT ASSY	USED ON

APPLICATION

4

3

1

4

3

2

1

CAD