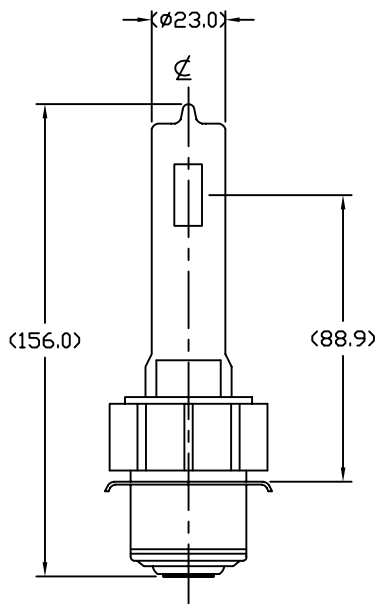


| REVISIONS | | | |
|-----------|-------------|------|----------|
| REV | DESCRIPTION | DATE | APPROVED |



NOTES:

1. ALL DIMENSIONS ARE IN MM.
2. SEAL TEMP: SHOULD BE MAINTAINED BELOW 350°C
3. THE DIMENSIONS AND SPECIFICATIONS OF PRODUCT LISTED IN THIS SHEET ARE SUBJECT TO CHANGE WITHOUT NOTICE FOR IMPROVEMENT.

| CHARACTERISTICS | |
|-----------------|----------|
| VOLTAGE | 120 V |
| WATTAGE | 750 W |
| COLOR TEMP. | 3050 K |
| TOTAL LUMEN | 17000 Lm |
| BASE TYPE | P28S |
| AVERAGE LIFE | 500 HRS |
| FILAMENT TYPE | C-13D |
| BURN POSITION | ANY |

| ITEM | QTY | DESCRIPTION | CODE IDENT | PART NUMBER | REMARKS |
|--|-----|----------------------------|------------|--|---------|
| LIST OF MATERIALS | | | | | |
| UNLESS OTHERWISE SPECIFIED DIMENSIONS ARE IN INCHES DECIMALS .X ± - .XX ± - .XXX ± - ANGLES ± - DRILLED HOLES PER AND 10387 REMOVE BURRS AND SHARP EDGES ALL DIMENSIONS AFTER PLATING | | CONTRACT NO. | | USHIO AMERICA, INC. 10550 Camden Dr. Cypress, CA 90630 | |
| MATERIAL COMPOSITE | | APPROVALS | | | |
| FINISH | | DATE | | TITLE FMD/DNT JCS120V-750WB2 | |
| | | DRAWN R.AMPARO 08/30/99 | | | |
| | | CHKD D.GILCZYNSKI 08/30/99 | | SIZE B CODE IDENT NO. FMD DWG NO. 1000209 | |
| | | ENGR | | | |
| | | MFG | | SCALE NONE WEIGHT SHEET 1 OF 1 | |
| | | QUAL | | | |
| | | DSGN ACTVY | | | |
| | | GOVT ACTVY | | | |

4

3



1

D

D

C

C

B

B

A

A

4

3



2

1

CAD