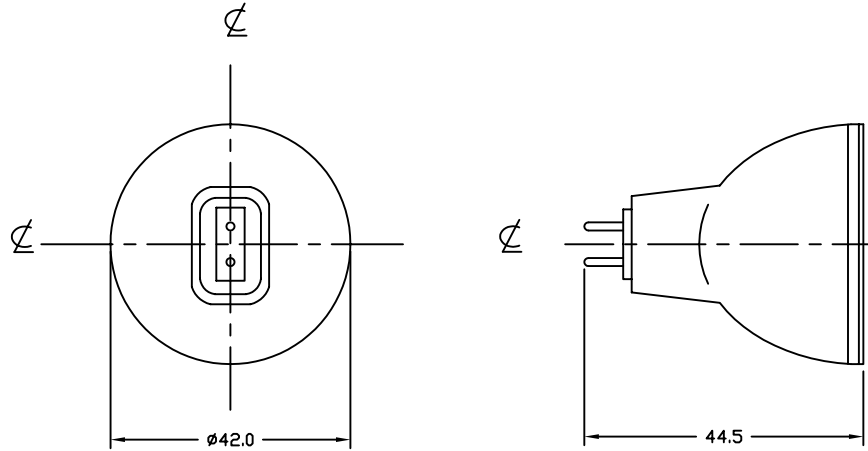


REVISIONS			
REV	DESCRIPTION	DATE	APPROVED



NOTES:

1. ALL DIMENSIONS ARE IN MM.
2. SEAL TEMP: SHOULD BE MAINTAINED BELOW 350°C
3. THE DIMENSIONS AND SPECIFICATIONS OF PRODUCT LISTED IN THIS SHEET ARE SUBJECT TO CHANGE WITHOUT NOTICE FOR IMPROVEMENT.

CHARACTERISTICS	
VOLTAGE	82 V
WATTAGE	300 W
COLOR TEMP	3300 K
AVERAGE LIFE	70 HRS
BASE TYPE	GX5.3
WD	152.4
FILAMENT TYPE	CC-8
BURN POSITION	BD/Hor

ITEM	QTY	DESCRIPTION	CODE IDENT	PART NUMBER	REMARKS
<b>LIST OF MATERIALS</b>					
UNLESS OTHERWISE SPECIFIED DIMENSIONS ARE IN INCHES		CONTRACT NO.		<b>USHIO AMERICA, INC.</b> 5440 Cerritos Avenue Cypress, CA 90630	
DECIMALS .X ± - .XX ± - .XXX ± -		APPROVALS			
ANGLES ± -		DATE		TITLE <b>FHS</b> <b>JCR82V-300W</b>	
DRILLED HOLES PER AND 10387 REMOVE BURRS AND SHARP EDGES ALL DIMENSIONS AFTER PLATING		DRAWN			
MATERIAL		ENGR		SIZE <b>B</b>	
COMPOSITE		MFG			
FINISH		QUAL		CODE IDENT NO. <b>FHS</b>	
		DSGN ACTVY			
		GOVT ACTVY		DWG NO. <b>1000535</b>	
				SCALE <b>NONE</b>	
				WEIGHT	
				SHEET <b>1 OF 1</b>	

NEXT ASSY	USED ON	APPLICATION

