

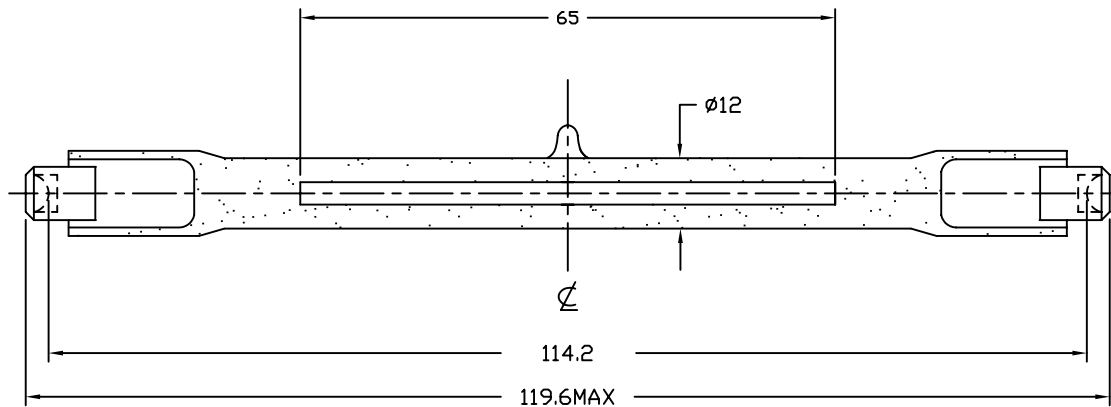
4

5

DWG NO. 1000533 SH 1

1

REVISIONS			
REV	DESCRIPTION	DATE	APPROVED



NOTES:

- ALL DIMENSIONS ARE IN MM.
- SEAL TEMP: SHOULD BE MAINTAINED BELOW 350°C
- THE DIMENSIONS AND SPECIFICATIONS OF PRODUCT LISTED IN THIS SHEET ARE SUBJECT TO CHANGE WITHOUT NOTICE FOR IMPROVEMENT.

CHARACTERISTICS	
VOLTAGE	120 V
WATTAGE	1000 W
LUMENS	26000 Lm
COLOR TEMP.	3200 K
BASE TYPE	R7S-12
AVERAGE LIFE	400 HRS
FILAMENT TYPE	C-8
BURN POSITION	Horizontal±4°

ITEM	QTY	DESCRIPTION	CODE IDENT	PART NUMBER	REMARKS
LIST OF MATERIALS					
UNLESS OTHERWISE SPECIFIED DIMENSIONS ARE IN INCHES		CONTRACT NO.		USHIO AMERICA, INC. 5440 Cerritos Avenue Cypress, CA 90630	
DECIMALS .X ± - .XX ± - .XXX ± -		APPROVALS			
ANGLES ± -		DATE		TITLE	
DRILLED HOLES PER AND 10387 REMOVE BURRS AND SHARP EDGES ALL DIMENSIONS AFTER PLATING		DRAWN			
MATERIAL		CHKD		FHM JP120V-1000WCF1	
COMPOSITE		ENGR			
FINISH		MFG		SIZE	
		QUAL			
		DSGN ACTVY		CODE IDENT NO.	
		GOVT ACTVY		DWG NO.	
				B FHM 1000533	
				SCALE	
				NONE	
				WEIGHT	
				SHEET	
				1 OF 1	

4

3

2

1

CAD