

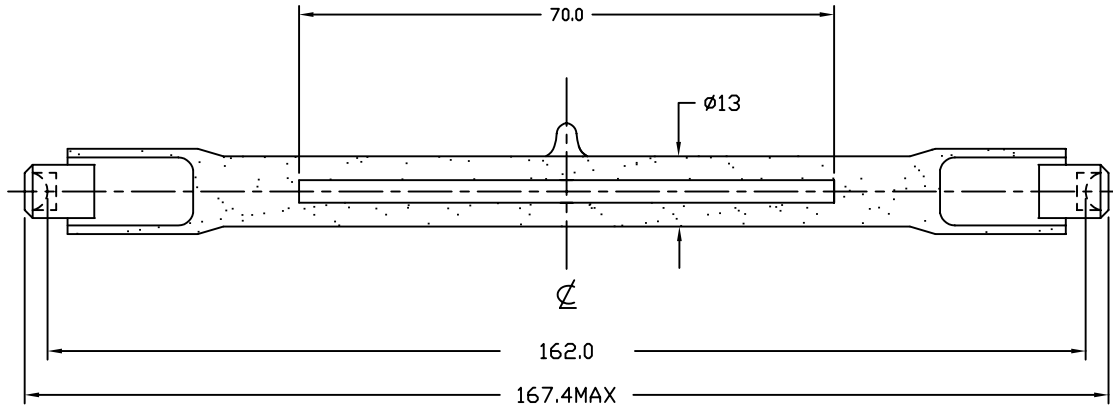
4

3

DWG NO. 1000529 SH 1

1

REVISIONS			
REV	DESCRIPTION	DATE	APPROVED



NOTES:

1. ALL DIMENSIONS ARE IN MM.
2. SEAL TEMP: SHOULD BE MAINTAINED BELOW 350°C
3. THE DIMENSIONS AND SPECIFICATIONS OF PRODUCT LISTED IN THIS SHEET ARE SUBJECT TO CHANGE WITHOUT NOTICE FOR IMPROVEMENT.

ITEM	QTY	DESCRIPTION	CODE IDENT	PART NUMBER	REMARKS
LIST OF MATERIALS					
UNLESS OTHERWISE SPECIFIED DIMENSIONS ARE IN INCHES		CONTRACT NO.		USHIO AMERICA, INC. 5440 Cerritos Avenue Cypress, CA 90630	
DECIMALS .X ± - .XX ± - .XXX ± -		APPROVALS			
ANGLES ± -		DATE		TITLE	
DRILLED HOLES PER AND 10387 REMOVE BURRS AND SHARP EDGES ALL DIMENSIONS AFTER PLATING		DRAWN R.AMPARO 12/17/99			
MATERIAL		CHKD D.GILCZYNSKI 12/17/99		FGT JP210V-1500WCF	
COMPOSITE		ENGR			
FINISH		MFG		SIZE	
		QUAL		CODE IDENT NO.	
		DSGN ACTVY		B FGT	
		GOV'T ACTVY		DWG NO.	
				1000529	
				SCALE	
				NONE	
				WEIGHT	
				SHEET	
				1 OF 1	

CHARACTERISTICS	
VOLTAGE	120 V
WATTAGE	1500 W
LUMENS	40200 Lm
COLOR TEMP.	3200 K
BASE TYPE	R7S-12
AVERAGE LIFE	400 HRS
FILAMENT TYPE	C-8
BURN POSITION	Horizontal ± 4°

APPLICATION	NEXT ASSY	USED ON

A

Z

▲

2

1

CAD

D

C

B

A

D

C

B

A