

4

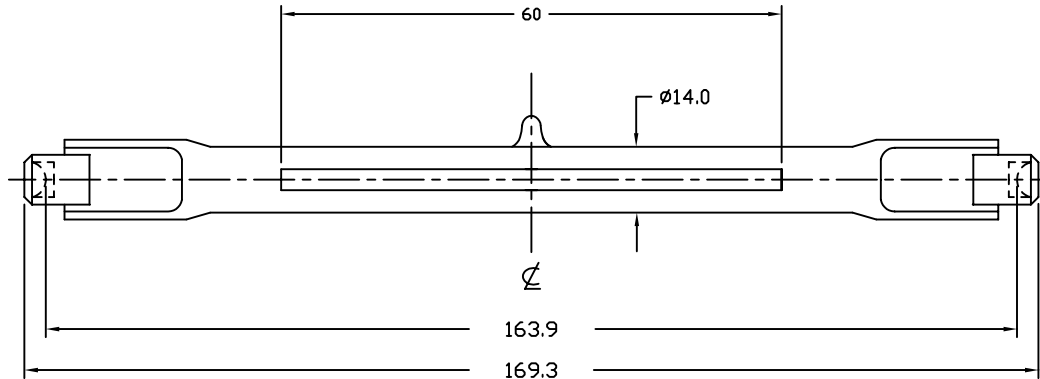
3

DWG NO. 1000524 SH 1

1

REVISIONS

REV	DESCRIPTION	DATE	APPROVED



NOTES:

- ALL DIMENSIONS ARE IN MM.
- SEAL TEMP: SHOULD BE MAINTAINED BELOW 350°C
- THE DIMENSIONS AND SPECIFICATIONS OF PRODUCT LISTED IN THIS SHEET ARE SUBJECT TO CHANGE WITHOUT NOTICE FOR IMPROVEMENT.

CHARACTERISTICS	
VOLTAGE	120 V
WATTAGE	2000 W
LUMENS	57000 Lm
COLOR TEMP.	3200 K
BASE TYPE	R7S-12
AVERAGE LIFE	125 HRS
FILAMENT TYPE	C-8
BURN POSITION	Horizontal $\pm 4^\circ$

APPLICATION	USED ON

ITEM	QTY	DESCRIPTION	CODE IDENT	PART NUMBER	REMARKS
LIST OF MATERIALS					
UNLESS OTHERWISE SPECIFIED DIMENSIONS ARE IN INCHES		CONTRACT NO.		USHIO AMERICA, INC. 10550 Camden Dr. Cypress, CA 90630	
DECIMALS .X \pm - .XX \pm - .XXX \pm -		APPROVALS			
ANGLES \pm -		DATE		TITLE FFW JP210V-2000WC	
DRILLED HOLES PER AND 10387 REMOVE BURRS AND SHARP EDGES ALL DIMENSIONS AFTER PLATING		R.AMPARO 12/17/99			
MATERIAL COMPOSITE		CHKD D.GILCZYNSKI 12/17/99		SIZE B	
FINISH		ENGR			
		MFG		CODE IDENT NO. FFW	
		QUAL			
		DSGN ACTVY		DWG NO. 1000524	
		GOVT ACTVY			
		SCALE NONE		SHEET 1 OF 1	
		WEIGHT			

4

3

1

2

1

CAD