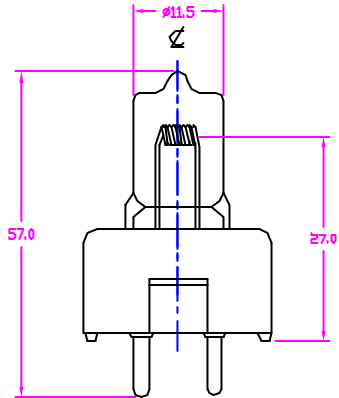


REVISIONS			
REV	DESCRIPTION	DATE	APPROVED



**NOTES:**

1. ALL DIMENSIONS ARE IN MM UNLESS OTHERWISE SPECIFIED.
2. SEAL TEMP SHOULD BE MAINTAINED BELOW 350°C.
3. THE DIMENSIONS AND SPECIFICATIONS OF PRODUCT LISTED IN THIS SHEET ARE SUBJECT TO CHANGE WITHOUT NOTICE FOR IMPROVEMENT.

ITEM	QTY	DESCRIPTION	CODE IDENT	PART NUMBER	REMARKS
<b>LIST OF MATERIALS</b>					
UNLESS OTHERWISE SPECIFIED DIMENSIONS ARE IN INCHES		CONTRACT NO.		<b>USHIO AMERICA, INC.</b> 5440 Carritas Ave. Cypress, CA90630	
DECIMALS .X ± - .XX ± - .XXX ± -		APPROVALS			
ANGLES ± -		DRAWN		TITLE	
DRILLED HOLES PER AND 103&7 REMOVE BURRS AND SHARP EDGES ALL DIMENSIONS AFTER PLATING		R.AMPARD			
MATERIAL		DATE		FDT, JC12V-100W HALOGEN LAMP	
COMPOSITE		08/20/99			
FINISH		ENGR		SIZE	
		D.GILCZYNSKI			
		CHKD		CODE IDENT NO.	
		ENGR		B	
		MFG		DWG NO.	
		QUAL		1000504	
		DSGN ACTVY		SCALE	
		GOVT ACTVY		NONE	
				WEIGHT	
				SHEET 1 OF 1	

CHARACTERISTICS	
VOLTAGE	12 V
WATTAGE	100 W
TOTAL LUMEN	2900 Lm
COLOR TEMP.	3300 K
BASE TYPE	CYQ.5
AVERAGE LIFE	50 HRS
FILAMENT TYPE	CBar6
BURN POSITION	BD/Hor

NEXT ASSY	USED ON	APPLICATION

4

3

1

D

D

C

C

B

B

A

A

4

3

2

1

CAD