

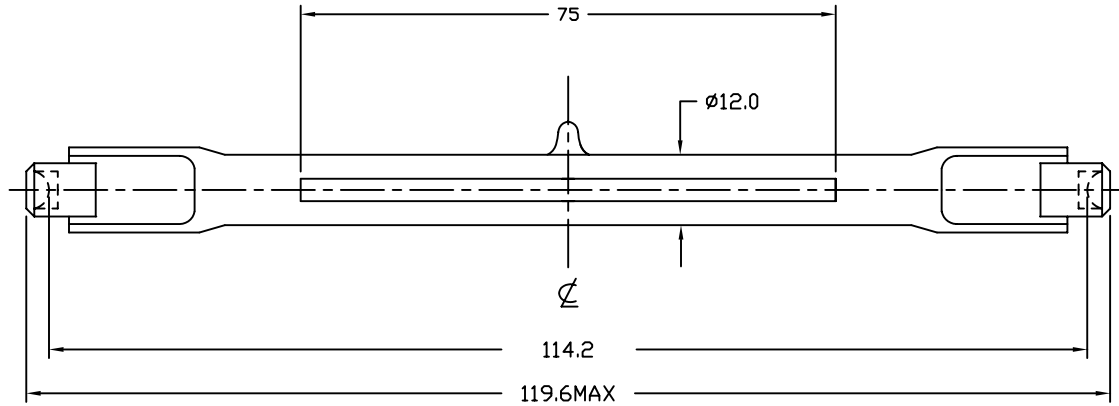
4

3

DWG NO. 1000500 SH 1

1

REVISIONS			
REV	DESCRIPTION	DATE	APPROVED



NOTES:

1. ALL DIMENSIONS ARE IN MM.
2. SEAL TEMP: SHOULD BE MAINTAINED BELOW 350°C
3. THE DIMENSIONS AND SPECIFICATIONS OF PRODUCT LISTED IN THIS SHEET ARE SUBJECT TO CHANGE WITHOUT NOTICE FOR IMPROVEMENT.

CHARACTERISTICS	
VOLTAGE	120 V
WATTAGE	500 W
LUMENS	13000 Lm
COLOR TEMP.	3200 K
BASE TYPE	R7S-12
AVERAGE LIFE	400 HRS
FILAMENT TYPE	C-8
BURN POSITION	Horizontal±4°

NEXT ASSY	USED ON
APPLICATION	

ITEM	QTY	DESCRIPTION	CODE IDENT	PART NUMBER	REMARKS
LIST OF MATERIALS					
UNLESS OTHERWISE SPECIFIED DIMENSIONS ARE IN INCHES		CONTRACT NO.		USHIO AMERICA, INC. 5440 Cerritos Avenue Cypress, CA 90630	
DECIMALS .X ± - .XX ± - .XXX ± -		APPROVALS			
ANGLES ± -		DATE		TITLE	
DRILLED HOLES PER AND 10387 REMOVE BURRS AND SHARP EDGES ALL DIMENSIONS AFTER PLATING		DRAWN R.AMPARO 08/16/99			
MATERIAL		CHKD D.GILCZYNSKI 08/16/99		FDF J120V-500WC6	
COMPOSITE		ENGR			
FINISH		MFG		SIZE B CODE IDENT NO. FDF DWG NO. 1000500	
		QUAL			
		DSGN ACTVY		SCALE NONE WEIGHT SHEET 1 OF 1	
		GOVT ACTVY			

4

3

2

1

CAD