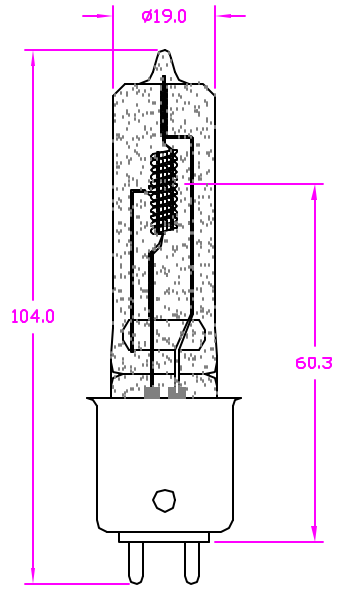


REVISIONS			
REV	DESCRIPTION	DATE	APPROVED



NOTES:

1. ALL DIMENSIONS ARE IN MM UNLESS OTHERWISE SPECIFIED.
2. SEAL TEMP SHOULD BE MAINTAINED BELOW 350°C.
3. THE DIMENSIONS AND SPECIFICATIONS OF PRODUCT LISTED IN THIS SHEET ARE SUBJECT TO CHANGE WITHOUT NOTICE FOR IMPROVEMENT.

CHARACTERISTICS	
VOLTAGE	120 V
WATTAGE	1000 W
TOTAL LUMEN	27500±750 Lm
COLOR TEMP.	3200 K
AVERAGE LIFE	300 HRS
BASE TYPE	G9.5
FILAMENT TYPE	CC-B
BURN POSITION	ANY

ITEM	QTY	DESCRIPTION	CODE IDENT	PART NUMBER	REMARKS
LIST OF MATERIALS					
UNLESS OTHERWISE SPECIFIED DIMENSIONS ARE IN INCHES		CONTRACT NO.		USHIO AMERICA, INC. 10550 Camden Dr. Cypress, CA 90630	
DECIMALS .X ± -		APPROVALS	DATE		
.XX ±		DRAWN R.AMPARO	09/07/00	TITLE FCV, JCV120V-1000WCF HALOGEN LAMP	
.XXX ±		CHKD	09/07/00		
ANGLES ±		ENGR		SIZE B	
DRILLED HOLES PER AND 10387 REMOVE BURRS AND SHARP EDGES ALL DIMENSIONS AFTER PLATING		MFG			
MATERIAL COMPOSITE		QUAL		CODE IDENT NO. FCV	
FINISH		DSGN ACTVY			
		GOV'T ACTVY		DWG NO. 1000494	
				SCALE NONE	
				WEIGHT	
				SHEET 1 OF 1	

APPLICATION	NEXT ASSY	USED ON

