



## EZJ-Box | E-Series Specification Sheet

Up to 288 Watts, Multi-Channel,  
Constant Voltage LED Drivers with  
Forward Phase Dimming

- 120V
- 12VDC
- 24VDC
- CLASS 2
- SELV



### Key Features

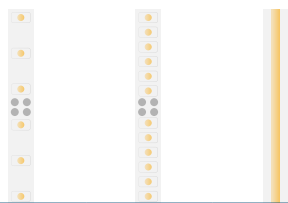
- Drivers installed and pre-wired saving install time
- Clean & professional installation
- Covered & ventilated surface mount enclosure
- Multiple 7/8" (1/2" Trade Size) knockouts
- Short Circuit & Over Voltage protection
- 90% efficiency provides low operating temperature

### Specification Overview

- Dim to 1% with forward-phase (TRIAC) dimmers
- 120VAC 50/60Hz input
- Constant Voltage 12VDC or 24VDC output
- 120W or 180W power options (12VDC)
- 192W or 288W power options (24VDC)
- Multi-Channel
- UL8750, Class 2, CSA C22.2 No. 250.13
- 5-year warranty

## ORDERING INFORMATION

Part Number	Description
EZJ120L12DC	EZJ E-Series, 120VAC Input, 120W (2 Channel X 60W), 12VDC Output
EZJ180L12DC	EZJ E-Series, 120VAC Input, 180W (3 Channel X 60W), 12VDC Output
EZJ192L24DC	EZJ E-Series, 120VAC Input, 192W (2 Channel X 96W), 24VDC Output
EZJ288L24DC	EZJ E-Series, 120VAC Input, 288W (3 Channel X 96W), 24VDC Output



STD	HD	COB
✓	<5W/FT	<5W/FT

Tape Compatibility Chart

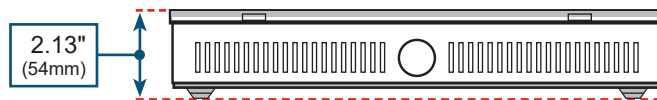
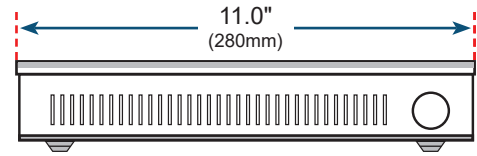
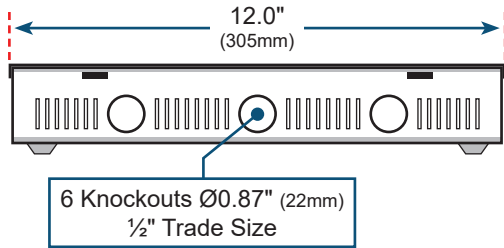
## ENCLOSURE DETAILS

Dimensions	Material	Finish	Environmental
12.0" W x 11.0" H x 2.13" D (305mm x 280mm x 54mm)	Stamped Steel	Powder Coat	Dry Location

### SPECIFICATIONS

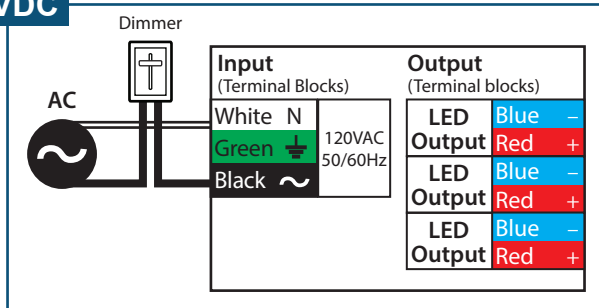
Input	120W (2x 60W) 12VDC	180W (3x60W) 12VDC	192W (2x96W) 24VDC	288W (3 x 96W) 24VDC
Input Voltage Range	120VAC ±10%	120VAC ±10%	120VAC ±10%	120VAC ±10%
Input Frequency	50 / 60Hz	50 / 60Hz	50 / 60Hz	50 / 60Hz
Input Current	1.22A Max	1.83A Max	1.70A Max	2.55A Max
Efficiency	>90%	>90%	>90%	>90%
Power Factor	0.95	0.95	0.95	0.95
<b>Output (Per Channel)</b>				
Output Voltage	12VDC	12VDC	24VDC	24VDC
Maximum Load	60W	60W	96W	96W
Minimum Load	8W	8W	8W	8W
Output Current @ Maximum Load	5.0A	5.0A	4.16A	4.16A
Turn On Delay Time	<0.5 sec	<0.5 sec	<0.5 sec	<0.5 sec
<b>Environmental</b>				
Ambient Operating Temperature	-30°C to 40°C (-22°F to 104°F)	-30°C to 40°C (-22°F to 104°F)	-30°C to 40°C (-22°F to 104°F)	-30°C to 40°C (-22°F to 104°F)
Enclosure	Dry Location	Dry Location	Dry Location	Dry Location
<b>Dimming</b>				
Dimming Control	Forward Phase-Dim	Forward Phase-Dim	Forward Phase-Dim	Forward Phase-Dim
Minimum Dimming Level	1%	1%	1%	1%
Dimming Curve	Linear	Linear	Linear	Linear
<b>Protection</b>				
Over Voltage Protection	Yes / Auto Reset	Yes / Auto Reset	Yes / Auto Reset	Yes / Auto Reset
Short Circuit Protection	Yes / Auto Reset	Yes / Auto Reset	Yes / Auto Reset	Yes / Auto Reset
<b>Approval &amp; Certifications</b>				
Listing	All Models: UL 8750 Listed, CSA C22.2 No. 250.13			
Certifications	All Models: Class 2			

**MECHANICAL DIAGRAMS**

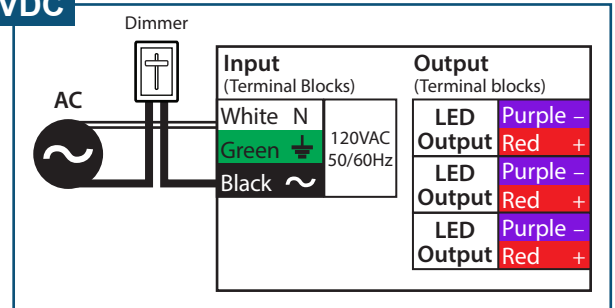


**WIRING DIAGRAMS**

**12VDC**

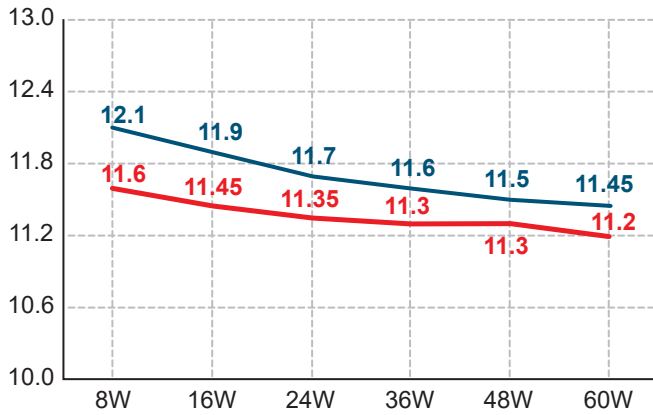


**24VDC**

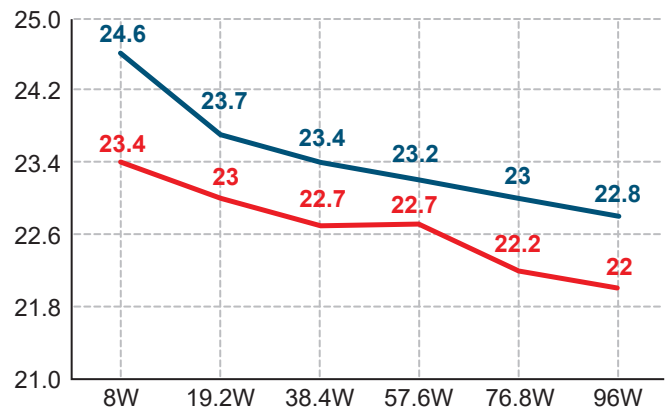


**PERFORMANCE DETAILS**

**60W (12VDC)**



**96W (24VDC)**



- Output Voltage vs. Load
- Output voltage with a typical TRIAC dimmer (on max)