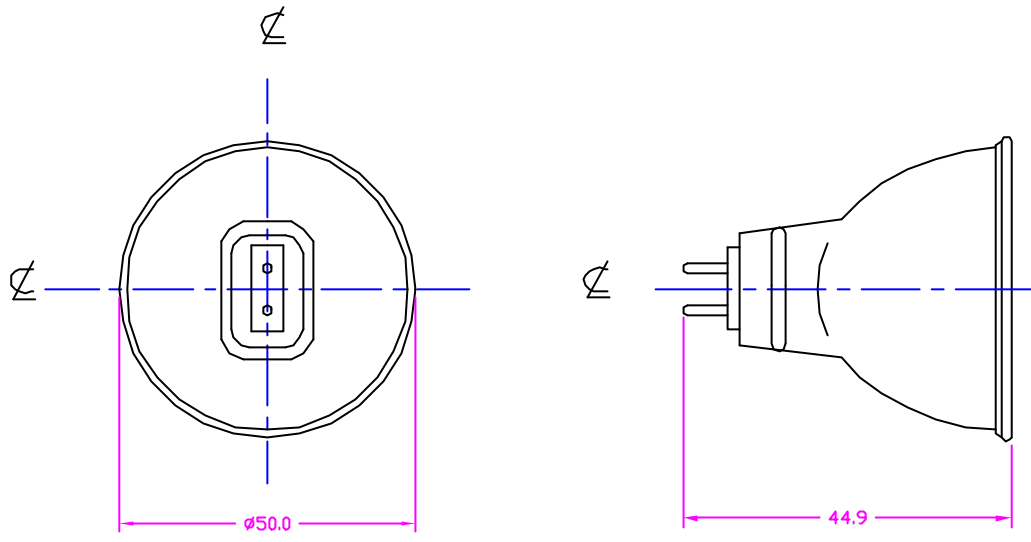


REVISIONS			
REV	DESCRIPTION	DATE	APPROVED



- NOTES:
1. ALL DIMENSIONS ARE IN MM UNLESS OTHERWISE SPECIFIED.
 2. SEAL TEMP SHOULD BE MAINTAINED BELOW 350°C.
 3. THE DIMENSIONS AND SPECIFICATIONS OF PRODUCT LISTED IN THIS SHEET ARE SUBJECT TO CHANGE WITHOUT NOTICE FOR IMPROVEMENT.

CHARACTERISTICS	
VOLTAGE	12 V
WATTAGE	50 W
COLOR TEMP	3050 K
AVERAGE LIFE	5000 HRS
BASE TYPE	GJ5.3
BEAM ANGLE	24°
FILAMENT TYPE	C-8
BURN POSITION	Any

ITEM	QTY	DESCRIPTION	CODE IDENT	PART NUMBER	REMARKS
LIST OF MATERIALS					
UNLESS OTHERWISE SPECIFIED DIMENSIONS ARE IN INCHES		CONTRACT NO.		USHIO AMERICA, INC. 10550 Camden Dr. Cypress, CA 90630	
DECIMALS .X ± - .XX ± .XXX ±		APPROVALS			
ANGLES ±		DATE		TITLE	
DRILLED HOLES PER AND 10307 REMOVE BURRS AND SHARP EDGES ALL DIMENSIONS AFTER PLATING		DRAWN			
MATERIAL		ENGR		EXZ/SL HALOGEN LAMP	
COMPOSITE		MFG			
FINISH		GUAL		SIZE	
NEXT ASSY		DSGN ACTVY		CODE IDENT NO.	
USED ON		GOVT ACTVY		DWG NO.	
APPLICATION		SCALE		WEIGHT	
		NONE		SHEET 1 OF 1	

4

3

1

D

D

C

C

B

B

A

A

4

3

2

1

CAD