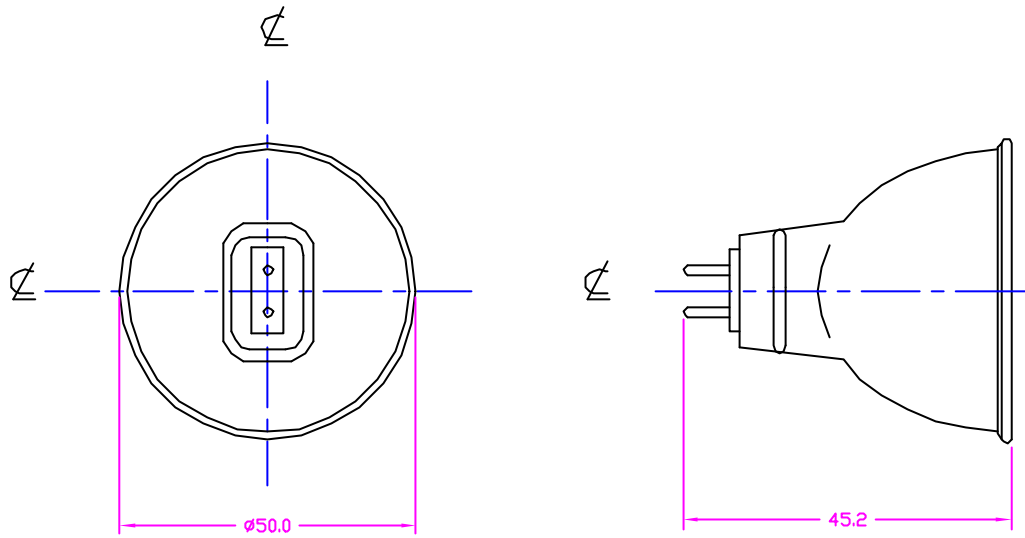


REVISIONS			
REV	DESCRIPTION	DATE	APPROVED



NOTES:

1. ALL DIMENSIONS ARE IN MM UNLESS OTHERWISE SPECIFIED.
2. SEAL TEMP SHOULD BE MAINTAINED BELOW 350°C.
3. THE DIMENSIONS AND SPECIFICATIONS OF PRODUCT LISTED IN THIS SHEET ARE SUBJECT TO CHANGE WITHOUT NOTICE FOR IMPROVEMENT.

CHARACTERISTICS	
VOLTAGE	12 V
WATTAGE	50 W
COLOR TEMP	3050 K
AVERAGE LIFE	5000 HRS
BASE TYPE	GJ5.3
BEAM ANGLE	24°
FILAMENT TYPE	C-8
BURN POSITION	Any

ITEM	QTY	DESCRIPTION	CODE IDENT	PART NUMBER	REMARKS
LIST OF MATERIALS					
UNLESS OTHERWISE SPECIFIED DIMENSIONS ARE IN INCHES		CONTRACT NO.		USHIO AMERICA, INC. 10560 Camden Dr. Cypress, CA 90630	
DECIMALS .X ± - .XX ± .XXX ±		APPROVALS			
ANGLES ±		DATE		TITLE EXZ/FG/SL HALOGEN LAMP	
DRILLED HOLES PER AND 10307 REMOVE BURRS AND SHARP EDGES ALL DIMENSIONS AFTER PLATING		DRAWN			
MATERIAL COMPOSITE		ENGR		SIZE B	
FINISH		MFG			
NEXT ASSY		QUAL		CODE IDENT NO.	
USED ON		DSGN ACTVY		DWG NO.	
APPLICATION		GOVT ACTVY		1000431	
		SCALE		SHEET	
		NONE		1 OF 1	

4

3

1

4

3

2

1

CAD