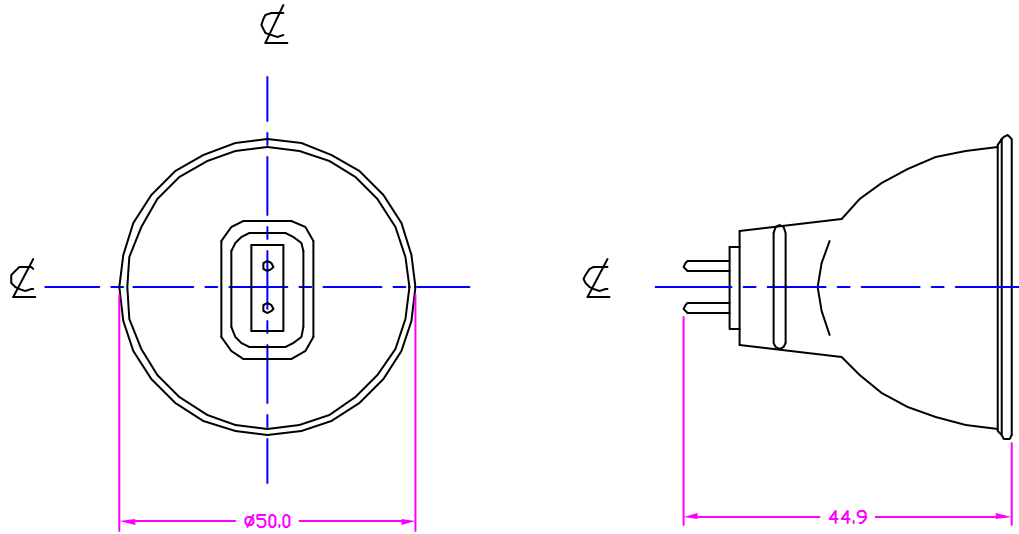


REVISIONS			
REV	DESCRIPTION	DATE	APPROVED



- NOTES:
1. ALL DIMENSIONS ARE IN MM UNLESS OTHERWISE SPECIFIED.
 2. SEAL TEMP SHOULD BE MAINTAINED BELOW 350°C.
 3. THE DIMENSIONS AND SPECIFICATIONS OF PRODUCT LISTED IN THIS SHEET ARE SUBJECT TO CHANGE WITHOUT NOTICE FOR IMPROVEMENT.

CHARACTERISTICS	
VOLTAGE	12 V
WATTAGE	50 W
COLOR TEMP	3000 K
AVERAGE LIFE	3500 HRS
BASE TYPE	GJ5.3
BEAM ANGLE	24°
FILAMENT TYPE	C-B
BURN POSITION	Any

ITEM	QTY	DESCRIPTION	CODE IDENT	PART NUMBER	REMARKS
LIST OF MATERIALS					
UNLESS OTHERWISE SPECIFIED DIMENSIONS ARE IN INCHES		CONTRACT NO.		USHIO AMERICA, INC. 10550 Camden Dr. Cypress, CA 90630	
DECIMALS .X ± - .XX ± .XXX ±		APPROVALS			
ANGLES ±		DATE		TITLE EXZ/C/A HALOGEN LAMP	
DRILLED HOLES PER AND 10387 REMOVE BURRS AND SHARP EDGES ALL DIMENSIONS AFTER PLATING		DRAWN			
MATERIAL COMPOSITE		ENGR		SIZE B	
FINISH		MFG			
APPLICATION		QUAL		CODE IDENT NO. EXZ	
NEXT ASSY		DSGN ACTVY		DWG NO. 1000427	
USED ON		GOVT ACTVY		SCALE NONE	
				WEIGHT	
				SHEET 1 OF 1	

4

3

1

4

3

2

1

CAD