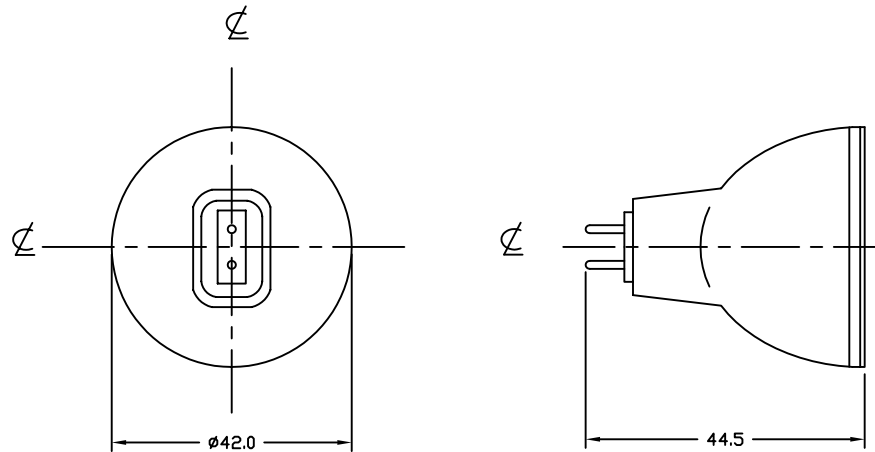


REVISIONS			
REV	DESCRIPTION	DATE	APPROVED



NOTES:

1. ALL DIMENSIONS ARE IN MM.
2. SEAL TEMP: SHOULD BE MAINTAINED BELOW 350°C
3. THE DIMENSIONS AND SPECIFICATIONS OF PRODUCT LISTED IN THIS SHEET ARE SUBJECT TO CHANGE WITHOUT NOTICE FOR IMPROVEMENT.

ITEM	QTY	DESCRIPTION	CODE IDENT	PART NUMBER	REMARKS
<b>LIST OF MATERIALS</b>					
UNLESS OTHERWISE SPECIFIED DIMENSIONS ARE IN INCHES		CONTRACT NO.		<b>USHIO AMERICA, INC.</b> 5440 Cerritos Avenue Cypress, CA 90630	
DECIMALS .X ± - .XX ± - .XXX ± -		APPROVALS			
ANGLES ± -		DATE		TITLE <b>EXY</b> <b>JCR82V-250W</b>	
DRILLED HOLES PER AND 10387 REMOVE BURRS AND SHARP EDGES ALL DIMENSIONS AFTER PLATING		DRAWN R.AMPARO 08/27/99			
MATERIAL		CHKD D.GILCZYNSKI 08/27/99		SIZE B CODE IDENT NO. EXY DWG NO. 1000423	
COMPOSITE		ENGR			
FINISH		MFG		SCALE NONE WEIGHT SHEET 1 OF 1	
NEXT ASSY USED ON APPLICATION		QUAL			
		DSGN ACTVY			
		GOVT ACTVY			

CHARACTERISTICS	
VOLTAGE	82 V
WATTAGE	250 W
COLOR TEMP	3250 K
AVERAGE LIFE	250 HRS
BASE TYPE	GX5.3
MAXIMUM CP	N/A
FILAMENT TYPE	CC-8
BURN POSITION	BD/Hor