

# WIRELESS AREA LIGHTING CONTROLLER

EN-ALC-ZB-BK

 Luminaire or  
Junction Box Mount

 Wireless Range - 30 m (100 ft)  
line of sight, 15.2 m (50 ft)  
standard walls when mounted  
outside of the junction box

Damp rated model available



On/Off switching

 Single 0-10V dimming  
output, capable of sinking  
30mA\*

 \*Maximum wire length:  
30m (100ft.) Class 1;  
76.2m (250 ft.) Class 2


## DESCRIPTION

The Wireless Area Lighting Controller (WALC) is a wireless control device that operates a switched line AC and 0-10V control to luminaires. It communicates to the Wattstopper PLUS Wireless Manager over a wireless mesh network.

These individually addressable devices can switch an electrical load up to 20A or a wired zone of multiple luminaires ON or OFF via an integrated high-current relay while setting the zone's overall light level with a 0-10V dimming output wired to the luminaires' dimming ballasts or LED drivers. The WALC 0-10V dimming output is fully isolated and suitable for installation as either an NEC Class 2 or Class 1 wiring.

The WALC also includes a 3 wire terminal block to allow connection for an analog low voltage occupancy or daylight sensor.

## FEATURES

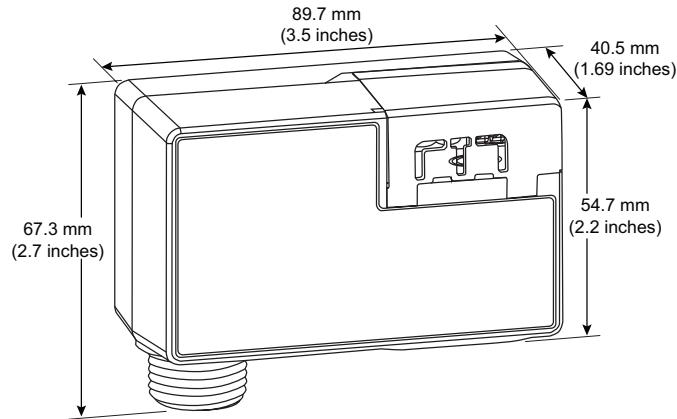
- Control for 0-10V dimmable and fixed output ballasts/LED drivers
- Provides hard-wire power to wallstations and sensors to enable wireless system designs without batteries
- Streamlines deployment with capability of powering low-voltage sensors with a built-in terminal block
- Enables wireless control for loads up to 20A
- Configurable high-end and low-end trim
- Mounts to the exterior of a junction box through a standard-size knockout
- Damp rated model available to suit environments with moderate degree of moisture such as basements and garages

## SPECIFICATIONS

- Voltage: 120-347V
- Maximum Load Ratings:
  - 20A @120-347 VAC, Electronic Ballast/Tungsten/Resistive/General Purpose
  - 1.5HP @120-277 VAC, Motor
- Wireless Range: 30 m (100 ft) line of sight, 15.2 m (50 ft) through standard walls
- Radio Frequency: 2.4GHz
- Operating Temperature:
  - -40° to 149°F (-40° to 65°C) @10A
  - -40° to 131°F (-40° to 55°C) @20A
- Weight: 178 g (60.3 oz)
- Relative Humidity: 0% to 95%, non-condensing
- Certifications:
  - UL916 (Energy Management Equipment)
  - UL924 cUL US Listed (Emergency Lighting Equipment)
  - UL2043 Plenum Rated
  - FCC Part 15/ICES-003
  - RoHS Compliant
- 5 year warranty

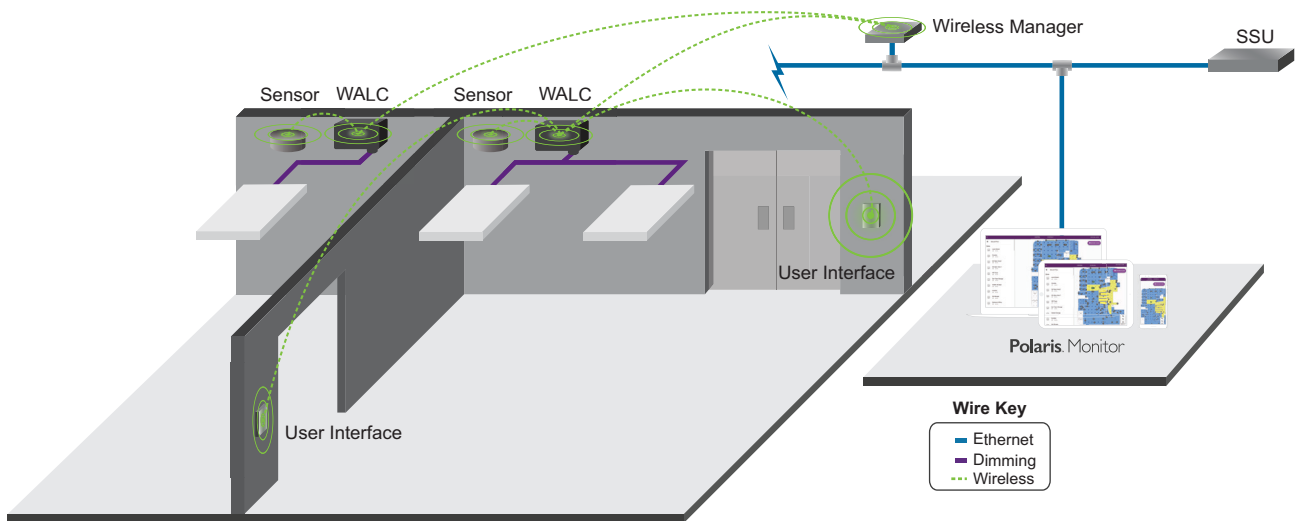
PROJECT		LOCATION/ TYPE	
---------	--	-------------------	--

## DIMENSIONS

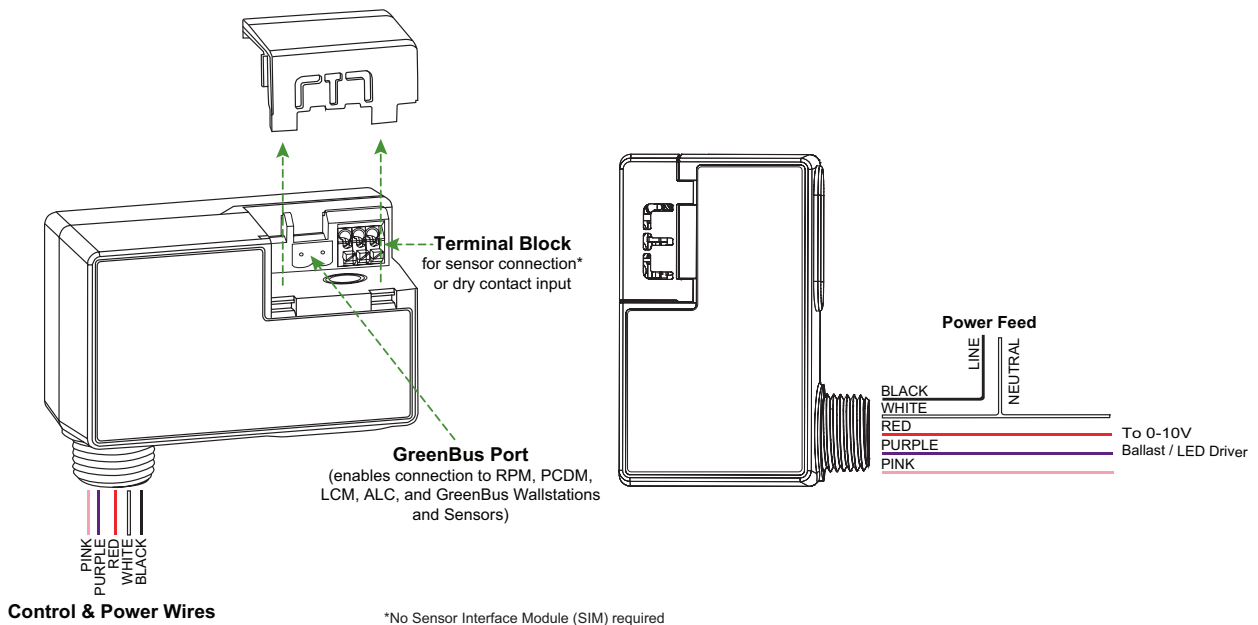


## SYSTEM OVERVIEW

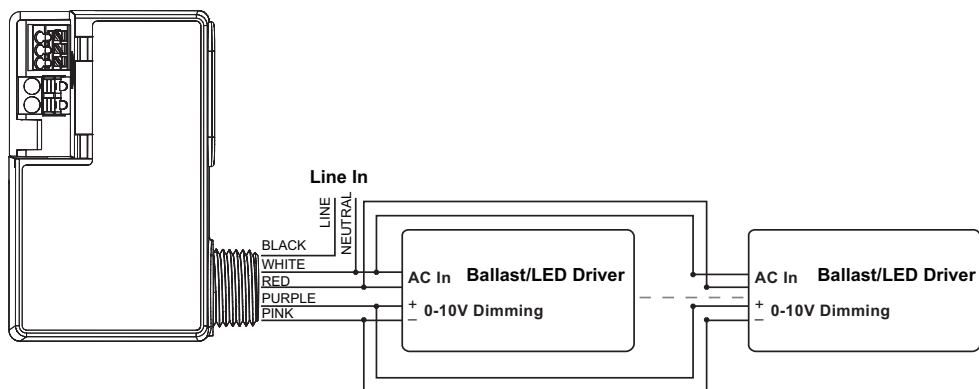
This illustration shows how each component is easily integrated into the Wattstopper PLUS System.



## WIRING

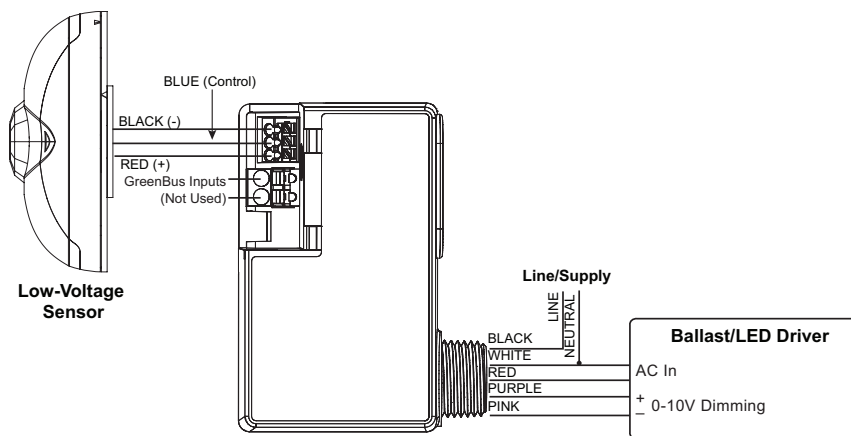


### WALC to Dimming Ballast/LED Driver Wiring



For a non-dimming fixture, cap off unused wire ends with UL Listed Wire Nut

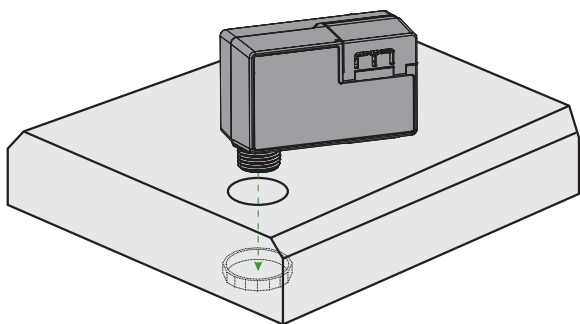
### WALC to Third Party Sensor Wiring



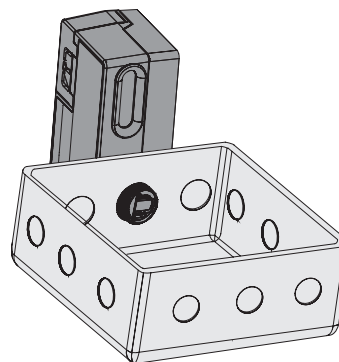
## MOUNTING

The mechanical construction allows for simple installation of the module in an available PG-7 (0.5 inch) trade-size knockout on top or side of a luminaire. For some installations, a junction box may be required. In this situation, Wattstopper recommends securely mounting the WALC to the junction box using an available PG-7 (0.5 inch) trade-size knockout and retainer nut.

#### Luminaire Mount



#### Junction Box Mount



## ORDERING INFORMATION

Catalog #	Description	Communication Network
■ EN-ALC-ZB-BK	Wireless Area Lighting Control Module	Wireless
■ EN-ALC-ZB-BK-DR	Wireless Area Lighting Control Module, damp rated	Wireless