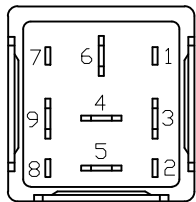
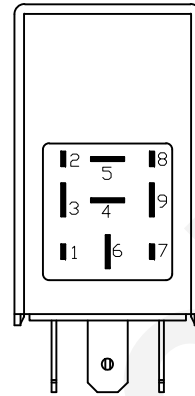
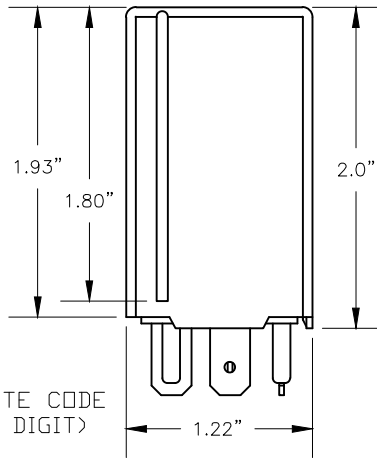
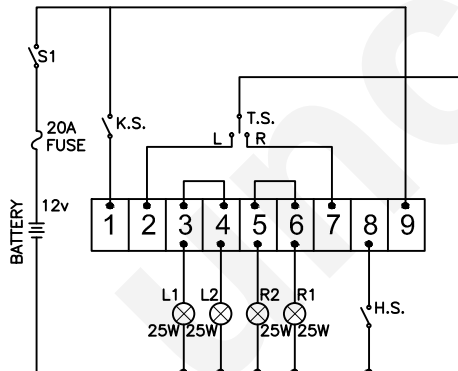


DATE CODE
(5 DIGIT)



HOUSING COLOR: BLACK

Date code (5 digits) , Julian date, first three digits = day of the year last 2 digits = last two digits of current year (example: 12308 = 123rd day of 2008)



ELM468 - Lighting Control Module

Comparable to LM519 non-DRL

Features: Low current input Turn Signal control
Low current input Hazard Warning control

Specifications: AM noise reduction circuitry
Designed for 2 Turn / 4 Hazard bulb load
Max load -6 Lamps & 2 Telltales
FMVSS108, J1054 & J1690 Class A.

Application: Chrysler, Jeep, Dodge

Shell Construction: Plastic

Rated Load: 1 TO 6 SAE Number 1156 Lamps per side,
Alternating Flasher. Not for LED

Lamp Ratings: No. 1156, 2.10 Amps. At 12.8 Volts

Temperature Operating Range: -25°F to 140° F (-32°C to 63°C)

Rated Voltage: 11 to 15 Volts DC

128° F 11 to 13 Volts

78° F 12.8 Volts

0° 11 to 13 Volts

Voltage Drop at Rated Current: 500 mv

Time to First Flash: Less than 1.5 seconds

Flash Rate over Temperature Range: 60 to 120 Flashes Per Min.

Duty Cycle: 35% to 75%

Electrical Source:

20 amps. Fused circuit recommended

- 1 Terminal = Ignition Switch
- 2 Terminal = T.S. Left Turn Switch
- 3 Terminal = T.S. Left Lamp
- 4 Terminal = T.S. Left Lamp
- 5 Terminal = T.S. Right Lamp
- 6 Terminal = T.S. Right Lamp
- 7 Terminal = T.S. Right Turn Switch
- 8 Terminal = H.W. Switch
- 9 Terminal = Battery (+)

REV	DESCRIPTION	DATE	APPROVAL
5	REVISED RATED LOAD NOT FOR LED	02/12/2018	RM
4	ADDED COMPARABLE PART #	10/03/2018	RM
3	CORRECTED DIAG. FUSE AMPS TO 20	05/06/2018	RM
2	ADDED DATE CODE	08/09/2012	DC
1	ISSUED	06/25/2010	DC

REVISIONS

UNLESS OTHERWISE SPECIFIED: DIMENSIONS ARE IN INCHES TOLERANCES		CEC INDUSTRIES LTD	
DECIMALS	ANGULAR	599 BOND STREET	LINCOLNSHIRE IL 60069
.XX ± .05	± 0.5°	TITLE	
.XXX ± .010	± 1/64	LIGHTING CONTROL MODULE ELM468	
FRACTIONAL		SIZE	FSCM NO.
		A	ELM468
DRAWN	DATE	DWG NO.	REV
DC	06/25/2010		5
CHECKED		SCALE	PLOT SCALE
DESIGN			SHEET 1 OF 1
MATERIAL	FILE	DO NOT SCALE DRAWING	
	ELM468.dwg		