



# ELCR Series

AUTOMATIC LOAD CONTROL RELAY

DATE: \_\_\_\_\_ LOCATION: \_\_\_\_\_

TYPE: \_\_\_\_\_ PROJECT: \_\_\_\_\_

CATALOG #: \_\_\_\_\_

## STANDARD FEATURES

- Automatic Load Control Override
- Allows Normal Control of Emergency Lighting
- Low Profile (1") Housing
- Input Range of 120VAC through 277VAC
- LED Indicators for Normal, Emergency and Load Status
- 0 - 10Vdc Dimmer Override
- Compatible with DALI Dimmable Loads
- 2 Second Self-Test Delay
- Fixture Mount Housing
- Plenum Rated



## SPECIFICATIONS

### # RELAYS & CONTACT TYPE:

- One (1) SPST Continuous Duty Coil

### EXPECTED RELAY LIFE:

- 10 million cycles minimum mechanical

### OPERATING TEMPERATURE:

- -30 to 140° F

### ACTUATE TIME:

- 18ms max.

### LED:

- Green = Normal Power
- Red = Emergency Power
- Yellow = Load Power

### DIMENSIONS:

- 5.63" L x 1.4" W x 1.0" H

### WIRES:

- 16", 600V Rated

### HOUSING RATING:

- UL Accepted for Use in Plenum, NEMA 1

### GOLD FLASH:

- No

### OVERRIDE (TEST SWITCH):

- No

### HUMIDITY RANGE:

- 5-95% (noncondensing)

### COIL CURRENT:

- Normal Power = 24 mA max
- Emergency Power = 88 mA max

### COIL VOLTAGE INPUT:

- Emergency Input: 120-277 Vac (50/60Hz)
- Normal Input: 120-277 Vac (50/60 Hz)

### RELAY CONTACT RATINGS:

- 5 Amp Electronic/LED Ballast @ 277 Vac
- 5 Amp Ballast @ 120-277 Vac

### FEEDBACK/DIMMER OVERRIDE CONTACT:

- 1 Amp Resistive @ 30 Vdc

### COMPLIANCES

- UL Listed
- UL924
- C-UL
- CE
- RoHS

### WARRANTY

- 5 years full warranty

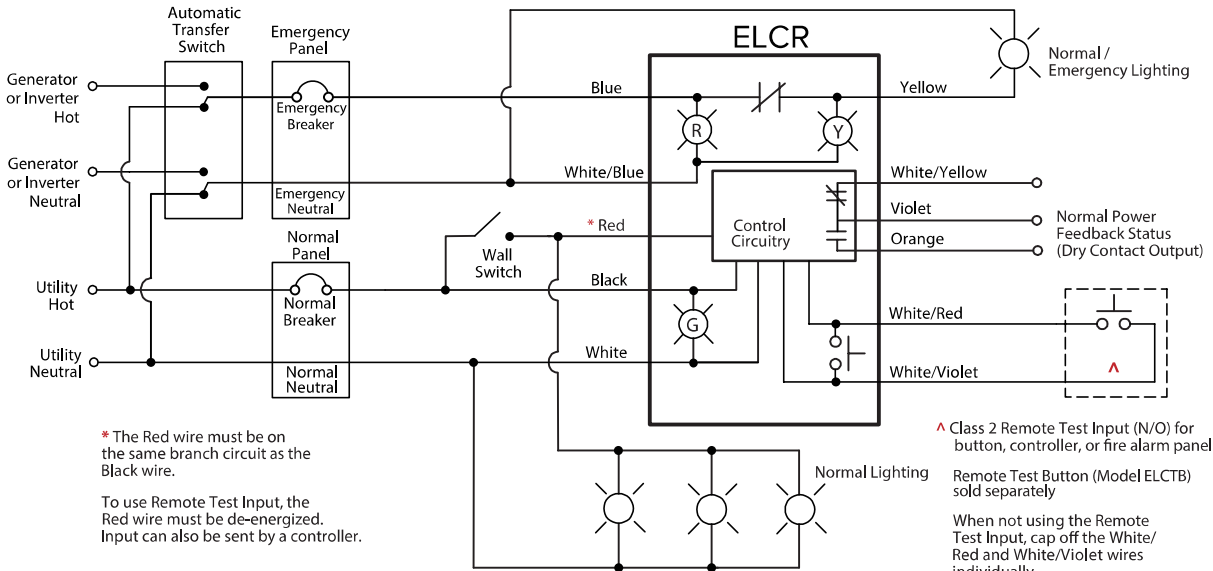
## ORDERING GUIDE

CATALOG #

<b>ELCR</b>	
Model	Accessories (Order Separately)
ELCR 5 Amp Automatic Load Control Relay	ELCTB Remote Test Button

## TYPICAL APPLICATIONS

### Using Emergency Lighting as Normal Lighting



### Overriding a 0-10Vdc Dimmer

