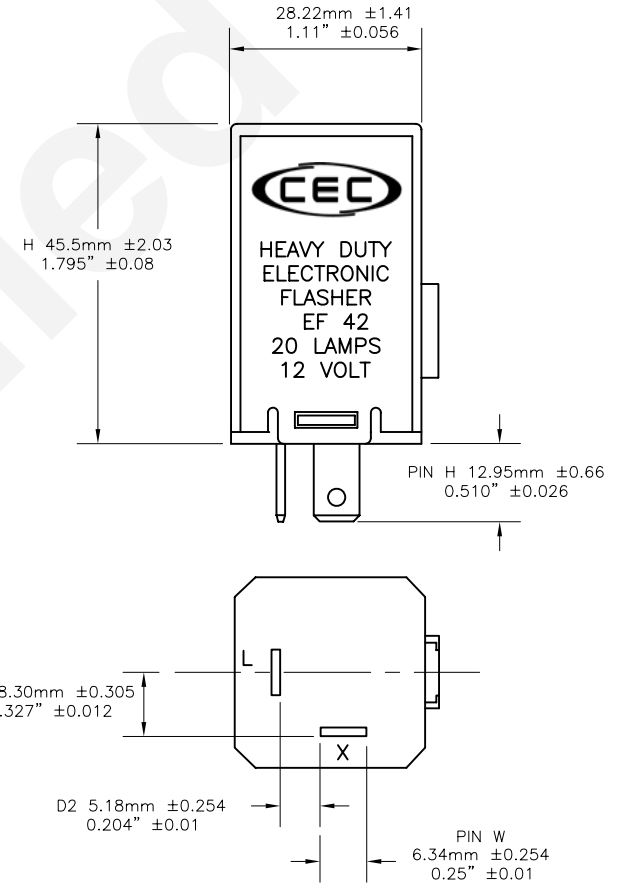
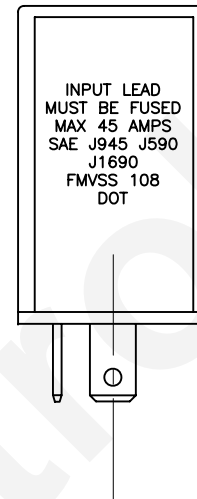
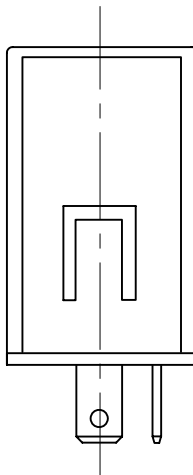
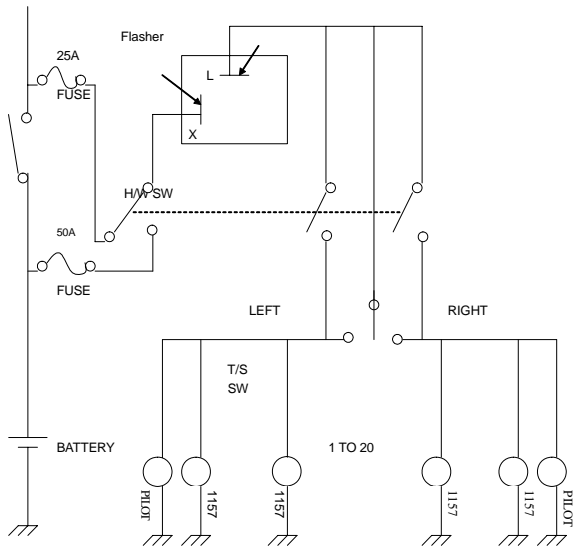


PART NO.	NO. OF TERMINALS	TYPE	STYLE	VOLT CAPACITY	AMPS
EF42	2	Variable Load	Square	11-15V	45

REVISIONS			
REV	Description	Date	Approval
1	Additional electrical specifications added	6/20/2002	
2	Additional view with script	1/13/2005	D.C.

EF42 CIRCUIT DIAGRAM



Specifications: FMVSS 108, SAE J590b, J945 & J1690 Class A
Shell Construction: Plastic
Rated Load: 1 to 20 lamps 45 amps. MAX.
Lamp Ratings: (1) No. 1157 2.10 Amps. at 12.8 Volts
(2) No. 1157, 42 Amps. at 12.8 Volts
Temperature Operating Range: -25°F to 140° F
Rated Voltage: 11 to 15 Volts DC.

Voltage Drop at Rated Current: 500 mv
Time to First Flash: Less than 1.5 seconds.
Flash Rate over Temperature Range: 60 to 120 Flash Per Minute
Duty Cycle: 30% to 75%
Electrical Source: Input Lead must be fused.
L Terminal = Load (Lamp Output)
X Terminal = Battery (Power Input)

UNLESS OTHERWISE SPECIFIED:
DIMENSIONS ARE IN INCHES
TOLERANCES
DECIMALS ANGULAR
.XX ± .05 ± 0.5°
.XXX ± .010
FRACTIONAL ±1/64

CEC INDUSTRIES LTD

599 BOND STREET

LINCOLNSHIRE IL 60069

TITLE

ELECTRONIC FLASHER EF42

DRAWN
D. Clark

DATE
1/13/2005

CHECKED

DESIGN

MATERIAL

SIZE
A

FSCM NO.

DWG NO.

EF42

REV
2

SCALE 100%

PLOT SCALE

SHEET 1 OF 1

FILE
EF42 Rev2.dwg

DO NOT SCALE DRAWING