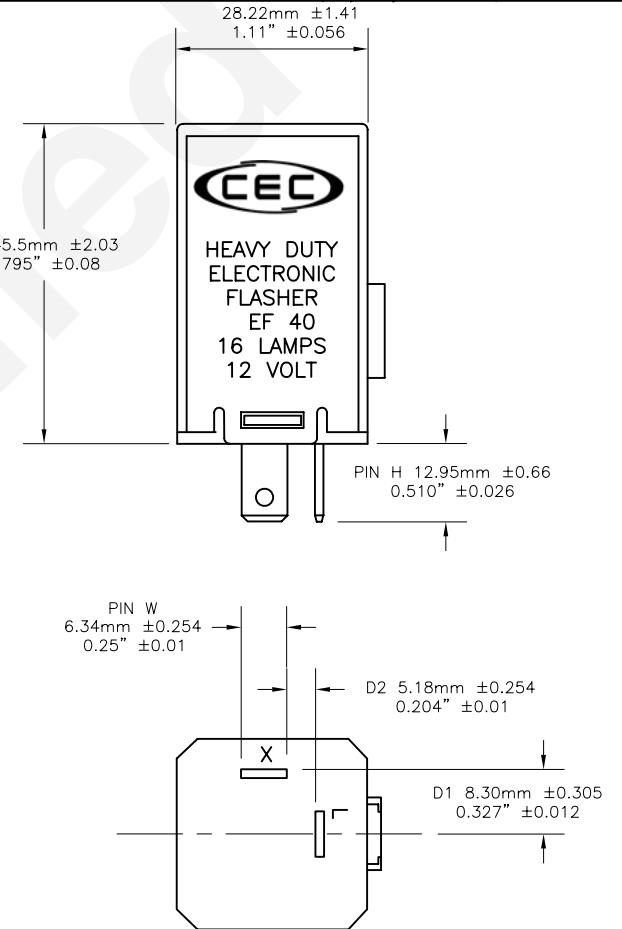
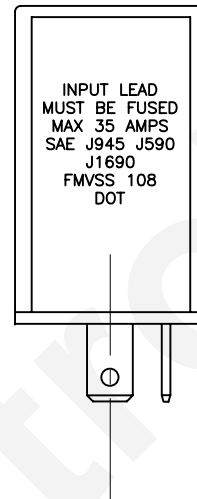
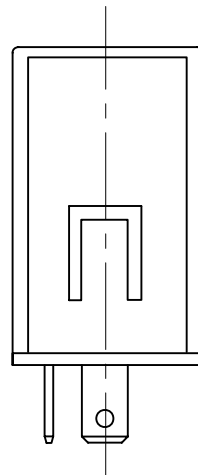
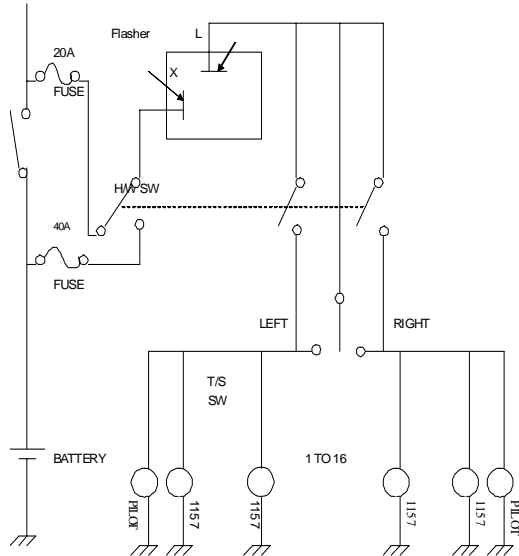


PART NO.	NO. OF TERMINALS	TYPE	STYLE	VOLT CAPACITY	AMPS
EF40	2	Variable Load	Square	11-15V	35

REVISIONS			
REV	Description	Date	Approval
1	Additional electrical specifications added	6/20/2002	
2	Additional view with script	1/10/2005	D.C.
3	HOUSING ORIENTATION	1/16/2008	D.C.

EF40 CIRCUIT DIAGRAM



Specifications: FMVSS 108 J590b, J945 & J1690 Class A
Shell Construction: Plastic
Rated Load: 1 to 16 lamps 35 amps. MAX.
Lamp Ratings: (1) No. 1157 2.10 Amps. at 12.8 Volts
(16) No. 1157, 33.6 Amps. at 12.8 Volts
Temperature Operating Range: -25°F to 140° F
Rated Voltage: 11 to 15 Volts DC.

Voltage Drop at Rated Current: 500 mv
Time to First Flash: Less than 1.5 seconds.
Flash Rate over Temperature Range: 60 to 120 Flash Per Minute
Duty Cycle: 30% to 75%
Electrical Source: Input Lead must be fused.
L Terminal = Load (Lamp Output)
X Terminal = Battery (Power Input)

UNLESS OTHERWISE SPECIFIED: DIMENSIONS ARE IN INCHES TOLERANCES		CEC INDUSTRIES LTD			
DECIMALS .XX ± .05		599 BOND STREET		LINCOLNSHIRE IL 60069	
ANGULAR .XXX ± .010		TITLE			
FRACTIONAL ±1/64		ELECTRONIC FLASHER EF40			
DRAWN D. Clark	DATE 1/10/2005	SIZE A	FSCM NO.	DWG NO. EF40	REV 3
CHECKED		SCALE	PLOT SCALE	SHEET 1 OF 1	
DESIGN		FILE EF40.dwg	DO NOT SCALE DRAWING		