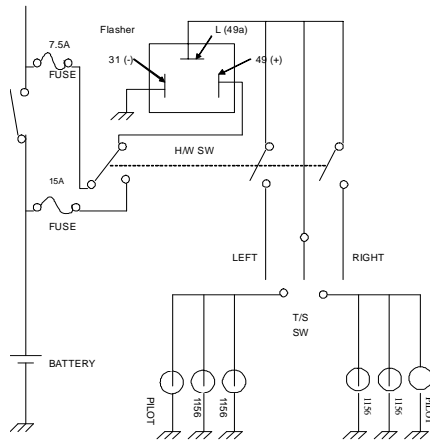


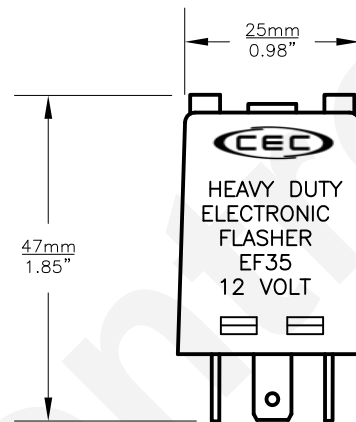
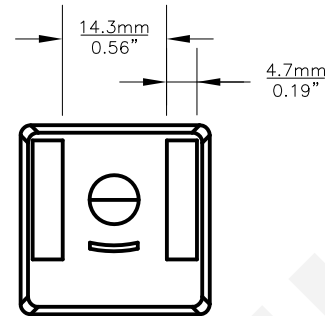
PART NO.	NO. OF TERMINALS	TYPE	STYLE	VOLTS
EF35	3	COMBINATION TS AND HAZARD	SQUARE	12

REVISIONS			
REV	DESCRIPTION	DATE	APPROVED
1	ISSUED	12/20/1999	M.V.
2	ADDITIONAL DIMENSIONS	09/03/2002	
3	REVISED PIN MARKINGS	01/16/2008	D.C.
4	BACK TEXT 4X26W	09/18/2008	D.C.
5	SMALLER HOUSING, TOP BRACKET	11/12/2010	D.C.
6	ADDITIONAL PIN MARKINGS	12/06/2010	D.C.

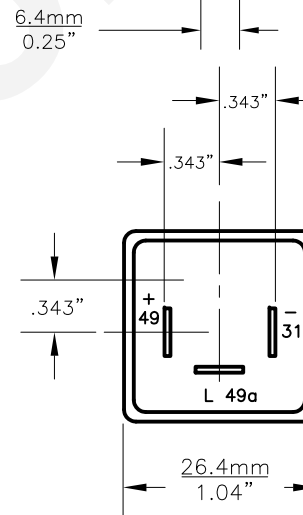
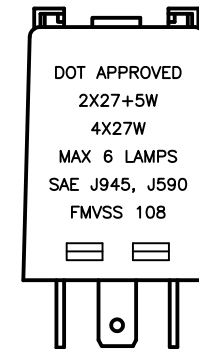
EF35 CIRCUIT DIAGRAM



TOP VIEW



BACK VIEW



**Specifications:** FMVSS108, SAE J590b & J945 & J1690 Class A  
**Shell Construction:** Plastic

**Rated Load:** Fixed Load 2 or 6 SAE Number 1156 Lamps  
 / 12 Amps MAX

**Lamp Ratings:** No. 1156 2.10 Amps. At 12.8 Volts  
 No. 1895 0.27 Amps At 14.0 Volts

**Temperature Operating Range:** -25°F to 140° F

**Rated Voltage:** 11 to 15 Volts DC.  
 128° F 11 to 13 Volts  
 78° F 12.8 Volts  
 0° F 11 to 13 Volts

**Voltage Drop at Rated Current:** 500 mv

**Time to First Flash:** Less than 1.5 seconds.

**Flash Rate over Temperature Range:** 60 to 120 Flash Per Minute

**Duty Cycle:** 35% to 75%

**Electrical Source:**

15 amps. Fused circuit recommended.

49a L Terminal = Load (Lamp Output)

49 (+) Terminal = Battery (Power Input)

31 (-) Terminal = Ground

UNLESS OTHERWISE SPECIFIED: DIMENSIONS ARE IN INCHES		CEC INDUSTRIES LTD	
TOLERANCES		599 BOND STREET LINCOLNSHIRE IL 60069	
DECIMALS	ANGULAR	TITLE	
.XX ± .05	± 0.5°	ELECTRONIC FLASHERS EF35	
.XXX ± .010		DRAWN	
FRACTIONAL	±1/64	DATE	
		12/20/99	
CHECKED	SIZE	FSCM NO.	DWG NO.
MORIO M. VARGAS	A		FLASHERS EF35
DESIGN	SCALE	PLOT SCALE	SHEET 1 OF 1
MATERIAL	FILE	EF35.DWG	DO NOT SCALE DRAWING