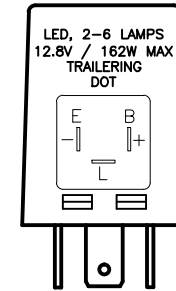
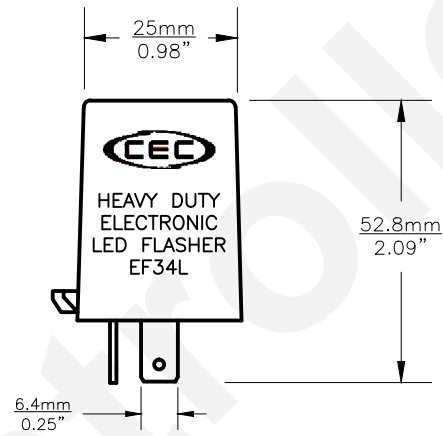
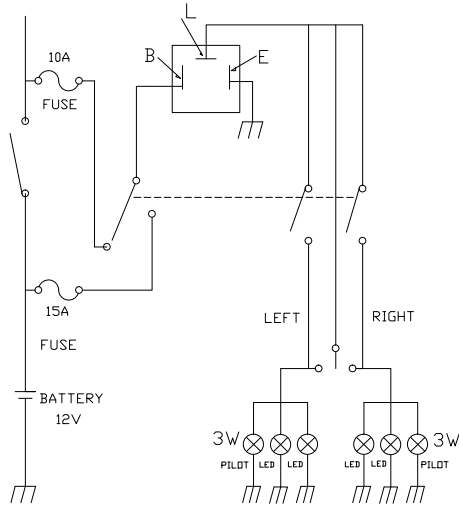
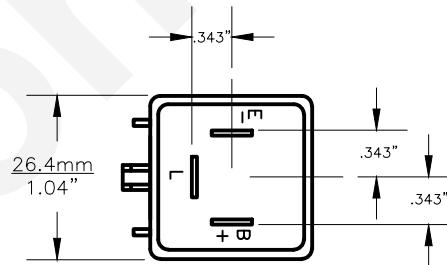


| PART NO. | NO. OF TERMINALS | TYPE | STYLE | VOLTS |
|----------|------------------|------------|--------|-------|
| EF34L | 3 | FIXED LOAD | SQUARE | 12 |

| REVISIONS | | | |
|-----------|----------------------------|------------|----------|
| REV | DESCRIPTION | DATE | APPROVAL |
| 1 | ISSUED | 11/10/2010 | D.C. |
| 2 | MOVED TEXT & VIEW LOCATION | 12/13/2010 | D.C. |
| 3 | BACK VIEW UPDATE | 03/14/2011 | D.C. |
| 4 | REVISED RATED LOAD | 05/03/2017 | R.M. |



SIDE VIEW



BOTTOM VIEW

Specifications: FMVSS108, SAE J590b & J945&J1690 Class A

Shell Construction: Plastic

Rated Load: 20mA to 15 Amps

Lamp Ratings: No. 1156 2.10 Amps. At 12.8 Volts
No. 1895 0.27 Amps. At 14.0 Volts
1-12 Amps

Power: 162W

Temperature Operating Range: -10°F to 140° F

Rated Voltage: 11 to 15 Volts DC.

128° F 11 to 13 Volts

78° F 12.8 Volts

0° F 11 to 13 Volts

Voltage Drop at Rated Current: 800 mv

Time to First Flash: Less than 1.5 seconds.

Flash Rate over Temperature Range: 60 to 120 Flash Per Minute

Duty Cycle: 35% to 75%

Electrical Source: 15 amps. Fused circuit recommended.

B Terminal = Battery (Power Input)

E Terminal = Ground

L Terminal = Load

| UNLESS OTHERWISE SPECIFIED: DIMENSIONS ARE IN INCHES TOLERANCES | | CEC INDUSTRIES LTD | | | |
|---|----------------|----------------------------|--|------------------------|--|
| DECIMALS | ANGULAR | 599 BOND STREET | | LINCOLNSHIRE, IL 60069 | |
| .XX ± .05 | ± 0.5° | TITLE | | | |
| .XXX ± .010 | ± 1/64 | ELECTRONIC FLASHER EF34L | | | |
| FRACTIONAL | | DRAWN D.C. DATE 11/10/2010 | | | |
| SIZE A | FSCM NO. | DWG NO. EF34L | | REV 4 | |
| SCALE | PLOT SCALE | SHEET 1 OF 1 | | DO NOT SCALE DRAWING | |
| MATERIAL | FILE EF34L.dwg | | | | |