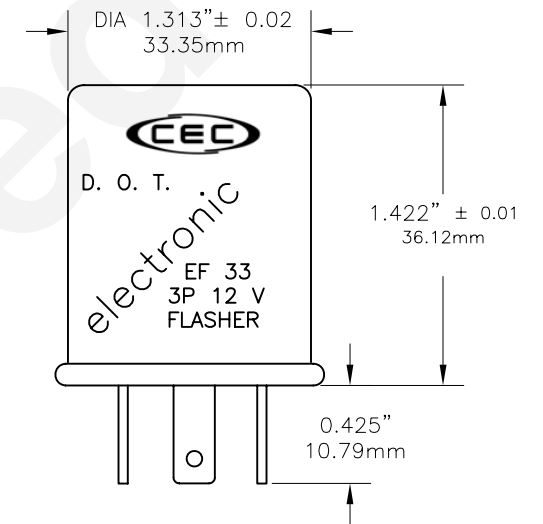
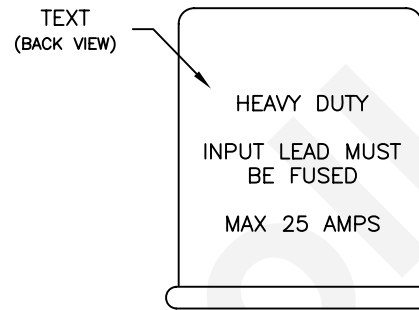
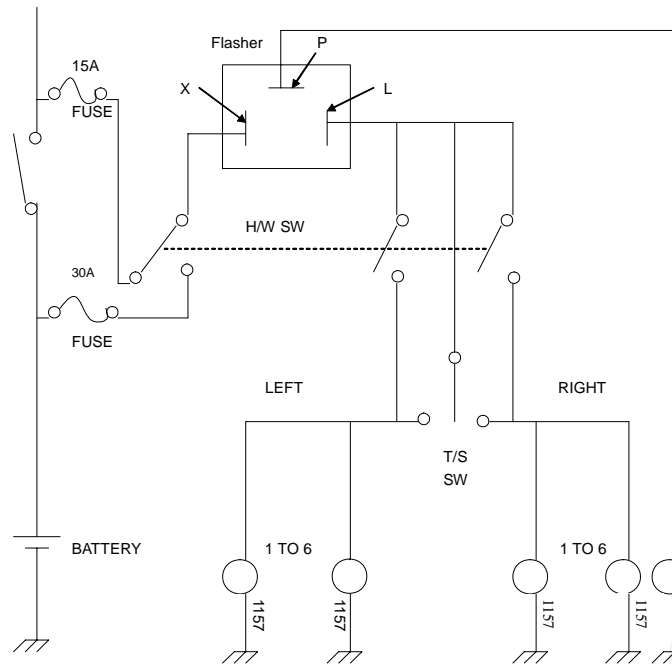


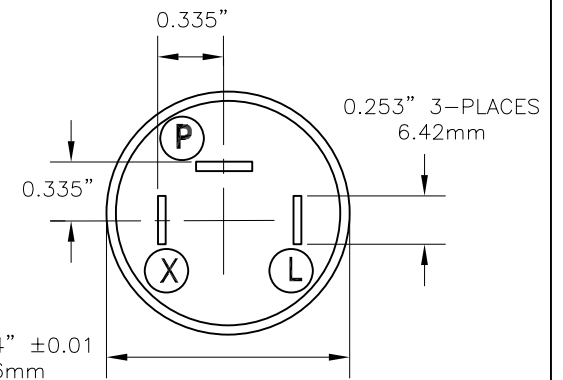
REVISIONS			
REV	DESCRIPTION	DATE	APPROVED
1	Additional electrical specifications added	06/17/2002	
2	Back view added, revised blade terminals	12/14/2004	D.C.
3	REVISED TEXT ON BACK	01/23/2008	D.C.

PART NO.	NO. OF TERMINALS	TYPE	STYLE	Volt Capacity
EF33	3	Variable Load	Round	11V-15V

EF33 CIRCUIT DIAGRAM



BOTTOM VIEW



Specifications: FMVSS 108 SAE J590 J945 & J1690 Class A

Shell Construction: Plastic

Rated Load: 1 to 12 lamps / 25 Amps. MAX

Lamp Ratings: (1) No. 1157, 2.10 Amps at 12.8 Volts

(12) No. 1157, 25 Amps at 12.8 Volts

Temperature Operating Range: -25°F to 140°F

Rated Voltage: 11 to 15 Volts DC.

Voltage Drop at Rated Current: 500 mv

Time to First Flash: Less than 1.5 seconds.

Flash Rate over : 60 to 120 Flash Per Minute

Duty Cycle: 30% to 75%

Electrical Source: Special Note: External Wire Provides Ground
30 amps. Input Lead must be fused

L Terminal = Load (Lamp Output)

X Terminal = Battery (Power Input)

P Terminal = Pilot Lamp.

UNLESS OTHERWISE SPECIFIED:
DIMENSIONS ARE IN INCHES
TOLERANCES

DECIMALS	ANGULAR
.XX ± .05	± 0.5°
.XXX ± .010	
FRACTIONAL	± 1/64

DRAWN Anna Soloveychik	DATE 05/23/02
---------------------------	------------------

CHECKED	
---------	--

DESIGN	
--------	--

MATERIAL	
----------	--

CEC INDUSTRIES LTD

599 BOND STREET

LINCOLNSHIRE IL 60069

TITLE

ELECTRONIC FLASHER EF33

SIZE A	FSCM NO.	DWG NO. EF33	REV 3
-----------	----------	-----------------	----------

SCALE	PLOT SCALE	SHEET 1 OF 1
-------	------------	--------------

FILE EF33.DWG	DO NOT SCALE DRAWING
------------------	----------------------