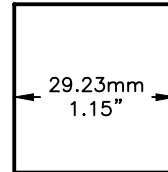


PART NO.	NO. OF TERMINALS	TYPE	STYLE	VOLTS
EF32SS	2	VARIABLE LOAD	SQUARE	11-15V

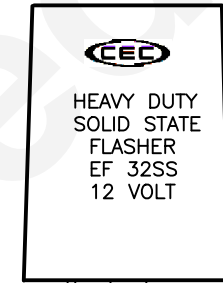
REVISIONS			
REV	DESCRIPTION	DATE	APPROVED
1	ISSUED	01/17/2007	D.C.
2	UPDATED CURRENT RATING	08/08/2007	D.C.
3	INCREASED CURRENT RANGE	10/16/2007	D.C.
4	CHANGED TEMPERATURE RANGE	09/08/2015	R.M.

Text
(back view)



Top View

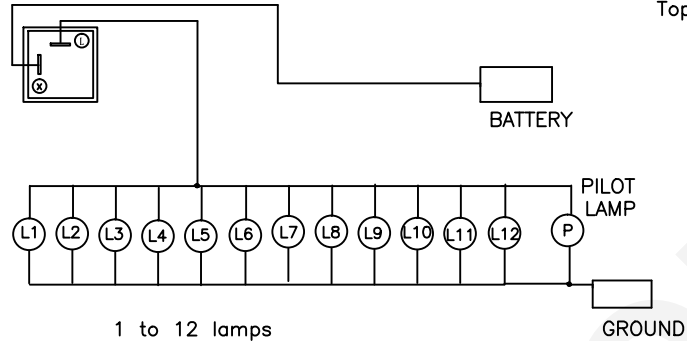
HEAVY DUTY
INPUT LEAD MUST
BE FUSED
SAE J945 J590
J1690a
20mA -
25 MAX AMPS
DOT



39.7mm ±0.99mm
1.56" ±0.039"

11.4mm ±0.3mm
0.45" ±0.013"

30.48mm ±0.76mm
1.2" ±0.03"



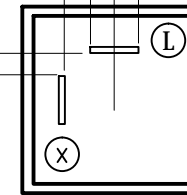
1 to 12 lamps

GROUND

6.34mm±0.24mm
0.25"±0.096"

D1 8.61mm±0.2mm
0.33"±0.008"

D2 0.204"±0.005"
5.182mm±0.127mm



Specifications: FMVSS 108 SAE J590b, J945&J1690 Class A

Shell Construction: Plastic

Rated Load: 20mA to 25 amp self-adjusting to lamp amperage draw.

Lamp Ratings: 20mA to 25 Amps

Temperature Operating Range: -40° C to +85° C [-40 °F to + 185 °F]

Rated Voltage: 11 to 15 Volts DC.

Voltage Drop at Rated Current: 500 mv

Time to First Flash: Less than 1.5 seconds.

Flash Rate over Temperature Range: 60 to 120 Flash Per Minute

Duty Cycle: 30% to 75%

Electrical Source:

20 amps. Input Lead must be fused.

L Terminal = Load (Lamp Output)

X Terminal = Battery (Power Input)

UNLESS OTHERWISE SPECIFIED: DIMENSIONS ARE IN INCHES TOLERANCES		CEC INDUSTRIES LTD			
DECIMALS	ANGULAR	599 BOND STREET		LINCOLNSHIRE IL 60069	
.XX ± .05	± 0.5°	TITLE			
.XXX ± .010		ELECTRONIC FLASHER EF32SS			
FRACTIONAL	±1/64	SIZE	FSCM NO.	DWG NO.	REV
		A		FLASHER EF32SS	4
DRAWN D. C.	DATE 01/17/2007	SCALE	PLOT SCALE	SHEET 1 OF 1	
CHECKED		FILE	EF32SS.dwg	DO NOT SCALE DRAWING	
DESIGN					
MATERIAL					