

Project		Catalog #		Type	
Prepared by		Notes		Date	



Streetworks

Caretaker

Dusk-to-Dawn Area/Roadway Luminaire

Product Certifications & Features



Interactive Menu

- **Ordering Information** page 2
- **Full Dimensional Details** page 3
- **Mouting Details** page 3
- **Energy and Performance Data** page 4
- **Control Options** page 7

Product Specifications

PHYSICAL CHARACTERISTICS

- Robust die-cast aluminum housing for durability
- Stamped aluminum door accessible via single captive screw
- Corrosion-resistant hardware for harsh environments
- 2.5-mil nominal thickness for coastal construction environments

OPTICAL

- Precision molded optics optimizes light distribution, increases efficiency, and provides maximum coverage in T2, T3, and T5R distributions
- 7 lumen packages at 4000K CCT, with optional packages at 3000K / 70CRI, 5000K / 70CRI, and 2700K / 80CRI
- Compatible with SR Acrylic refractor and ANSI/ NEMA Standard refractor assembly
- Field-installable house-side shields available for superior spill light control

ELECTRICAL

- The luminaire comes with a standard universal voltage LED driver with 0-10V control having an integrated 6kV surge protection
- Parallel or series protection levels of 10kV or 20kV offered
- Standard 3-position terminal block
- Pre-set to highest position at selected lumen output

MOUNTING

- Luminaire has been specifically designed to fit pipe-arms with an outer diameter ranging from 1-5/8" to 2-3/8"
- Available with bracket for mounting to wood, square pole, or wall without pipe-arm

FINISH

- Luminaire comes in unfinished raw aluminum as standard
- Optional five-stage super TGIC polyester powder coat paint for superior protection

CONTROLS

- Optional Field Adjustable Dimming Control (FADC) module allows for manual adjustment of lumen output and power usage; factory preset to highest output level. Enables a single SKU to cover multiple field applications
- Fully compatible with CLS Trellix Infrastructure UNB (Ultra Narrow Band) and cellular network lighting controls platforms. Enables wireless collection of luminaire performance and status data and asset management for luminaires installed in the field
- Optional 4-pin Zhaga Book 18 receptacle for integration of onboard sensors with DALI-enabled drivers

COMPLIANCE

- Meets ANSI C136.25 for IP66 Optical enclosure rating
- Meets ANSI C136.31 for 3G luminaire vibration. Customer is responsible for engineering analysis to confirm pole and fixture compatibility for all applications

- Meets ANSI C136.15 for luminaire field identification label standard
- Meets ANSI C136.22 internal label standard
- Safety listing - Wet Location UL 1598
- U0 option provides a full cutoff with a spun aluminum shield
- DarkSky approved for 3000K CCT and warmer, with mounting options less than 10° of tilt
- DLC and DLC Premium listed- visit designlights.org to confirm listed variations
- BAA domestic preference option meets BAA requirements. See [DOMESTIC PREFERENCES](#) website or consult the CLS Domestic Preferences team for more information

SHIPPING DATA

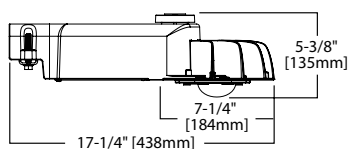
- Approximate Weight: 6.5 lbs | 7 lbs with refractor
- EPA:0.48 | 0.56 with refractor
- Carton Size: 19.56" x 6.38" x 11.63
 - » With SR Lens: 19.38" x 8.2" x 11.88"
 - » With Arm: 25.5 x 8.5" x 12.88"
- Pallet Size: 42" x 50"
 - » With SR Lens: 42" x 50"
 - » With Arm: 44" x 42"
- Cartons/Pallet: 56
 - » With SR Lens: 35
 - » With Arm: 20

WARRANTY

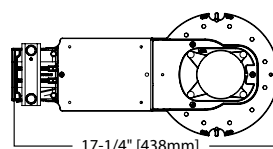
- Five-year limited warranty. Consult website for details. www.cooperlighting.com/legal

Dimensional Overview

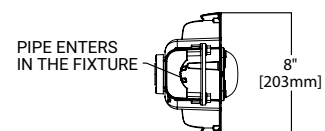
Standard (by it self)



Small acrylic refractor (order separately)



Zero uplight shield (order separately)



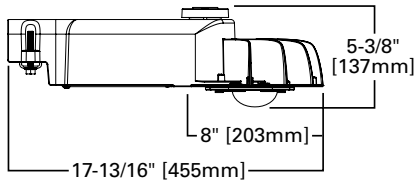
Ordering Information

SAMPLE ORDER NUMBER:

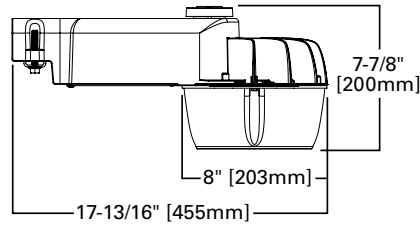
Product Family	Light Engine	Driver	Voltage	Distribution
CRTK2 =Caretaker BAA-CRTK2 =Caretaker, Buy American Act Compliant ⁹ TAA-CRTK2 =Caretaker, Trade Agreements Act Compliant ⁹	C013 =1 LED, Approximately 30% Output C015 =1 LED, Approximately 50% Output C016 =1 LED, Approximately 60% Output C018 =1 LED, Approximately 80% Output C01 =1 LED, Full Output C01H =1 LED, High Lumen Output C01HO =1 LED, Very High Lumen Output ¹²	D =Dimming (0-10V) 5LTD =DALI ¹²	U =Universal (120-277V)	T2 =Type II T3 =Type III T5R =Type V Round
Options (Add as Suffix)	Controls	Color	Accessories (Order Separately)	
7030 =70 CRI / 3000K 7050 =70 CRI / 5000K 8027 =80 CRI / 2700K SR =Small Acrylic Refractor (Factory Installed) TSR =Tool-less Small Acrylic Refractor (Factory Installed) U0 =Zero Uplight Shield ^{1,13} TH =Tool-less Door Hardware 4N7 = NEMA 7-PIN Photocontrol Receptacle S =Shorting Cap 10K =10kV UL 1449 Surge Protection Device 10MSP =10kV MOV Surge Protection Device 20K =20kV UL 1449 Surge Protection Device 20MSP =20kV MOV Surge Protection Device CC =Coastal Construction ² V =(3) 5' #14 External Leads ¹⁴ B18 =18" Wood Pole Pipe Arm ¹⁶ B24 =24" Wood Pole Pipe Arm ¹⁶ B30 =30" Wood Pole Pipe Arm ¹⁶ WPBKT =Wall or Pole Mounting Bracket 5 =120V NEMA Photocontrol Included ⁵ LLPC =Long-life Photocontrol PW =PackWise Packaging ^{15,16} Dxxxxx =DOT Configuration - Contact Quotes Team Uxxxxx =Utility Configuration - Contact Quotes Team	WLS2XX = WaveLinx LITE, SR Driver, Dimming Motion and Daylight, Bluetooth Programmable, 7' - 15' Mounting ^{7,8,18} WLS4XX =WaveLinx LITE, SR Driver, Dimming Motion and Daylight, Bluetooth Programmable, 15' - 40' Mounting ^{7,8,18} FADC =Field Adjustable Dimming Controller ^{11,17}	A =Raw Aluminum AP =Grey	RMARROA5 =ANSI/NEMA Standard Refractor Assembly SR-CARETAKER =Small Acrylic Refractor U0-XX =Zero Uplight Shield ³ LLPC =Long-life Photocontrol LLPC-F0 =Long-life Photocontrol (Fail Off) HSS-CRTK2 =Field Install House Side Shield ⁴ DS-HSS-CRTK2 =Drop Shield House Side Shield OA1226 =10kV Surge Module Replacement OA/RA1013 =Shorting Cap VGS-F/B =Vertical Glare Shield, Front/Back VGS-SIDE =Vertical Glare Shield, Side FS-XX =Fluted Decorative Shield ³ HB-XX =Hillbrook Bell Decorative Shield ³ TSR-CARETAKER =Tool-less Small Acrylic Refractor B18PK =18" Wood Pole Pipe Arm B24PK =24" Wood Pole Pipe Arm B30PK =30" Wood Pole Pipe Arm	
NOTES: <ol style="list-style-type: none"> U0 not offered with SR or TSR option Anti-corrosion treatment on external components, external screws/mounting bolts, and standard pipe clamp Replace XX with color Not for use on TSR optical distribution 120V input voltage only required Not available with 10MSP or 20MSP surge options Not available standard with 4N7 7-pin receptacle option. ETO required Replace XX with sensor color desired. (WH, BZ, or BK) Only product configurations with these prefixes are built to be compliant with the Buy America Act of 1933 (BAA) or Buy America Build America Act (BABA). Please see the Compliance section in Product Specifications for more detail Customer specific specifications utilizes standard products with small adjustments to meet unique requirements such as packaging, labels, wattage adjustments, etc Cannot be used with 4N7 or other motion response control options including 5LTD DALI driver. Control leads are used with FADC only when selected C01HO not available with DALI driver Required to be IDA Certified when used with 3000K and warmer CCTs When leads are specified, the terminal block is replaced with serviceable connectors 9% package dunnage reduction by weight. Only available in order increments of 20, quantity per carton B18, B24, and B30 are not available with PackWise packaging Cannot be used with PR7 or other motion response control options Controls system is not available with photocontrol receptacles (PR, PR7) or other controls systems (FADC, SPBx) 				

Shielding Dimensional Details

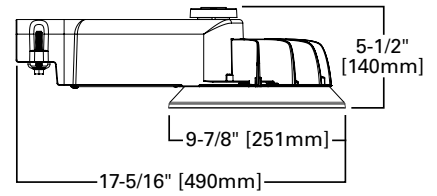
Standard (by it self)



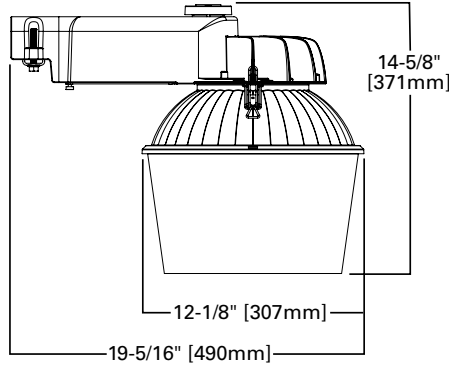
Small acrylic refractor (order separately)



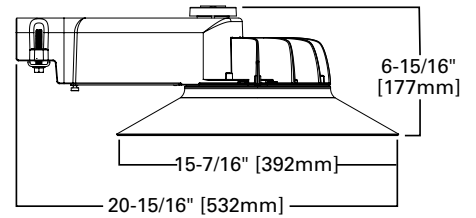
Zero uplight shield (order separately)



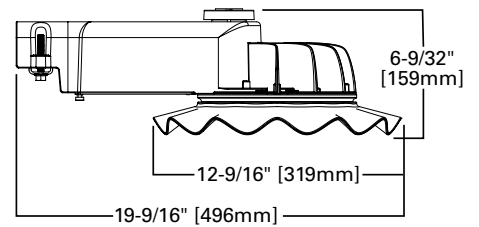
ANSI / NEMA refractor (order separately)



Hillbrook Decorative Shield (order separately)



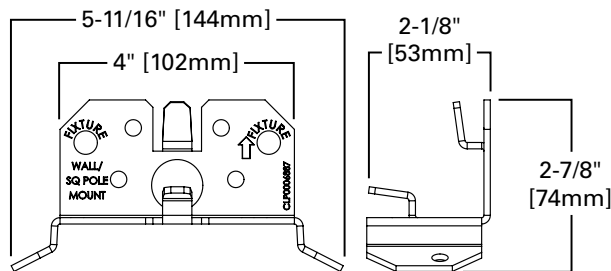
Fluted Decorative Shield (order separately)



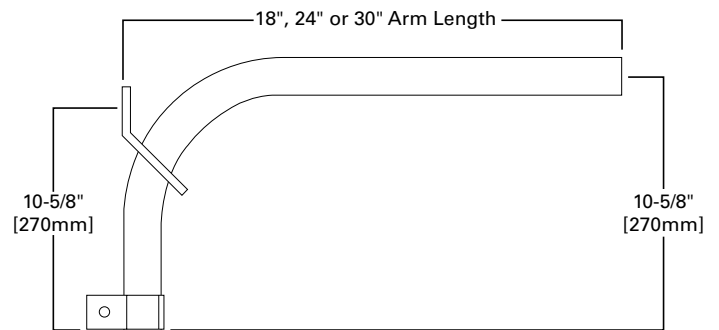
Mounting Details

Optional Wall/Pole Mounting Bracket

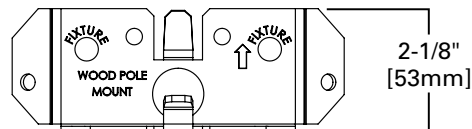
Wall Mount / Square Pole Mount



Optional Wood Pole Pipe Arm



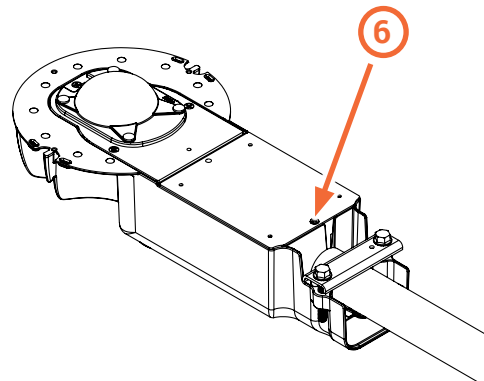
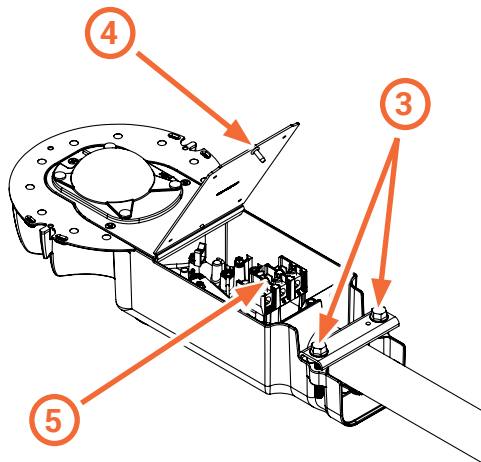
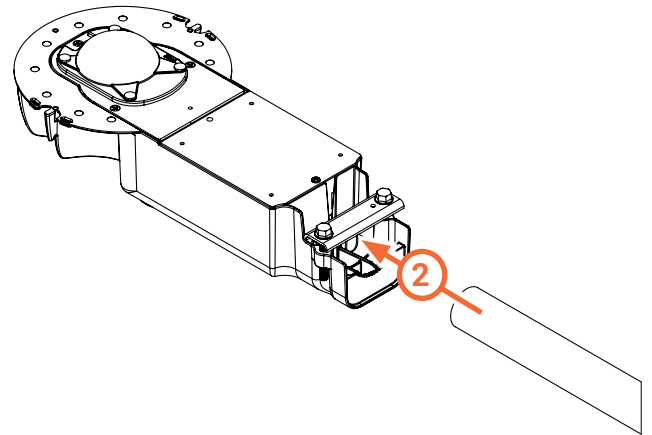
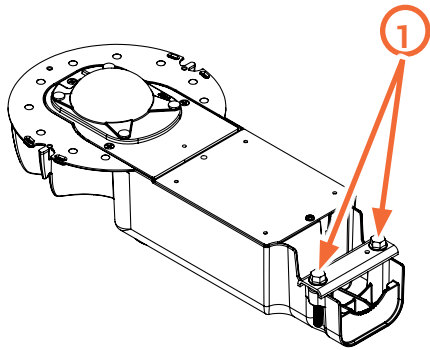
Pole Mount



Installation Overview

Quick Instruction Steps:

1. Loosen Mounting Bolts for Pole Clamp
2. Insert Pole Arm Into Fixture
3. Tighten Mounting Bolts on Pole Clamp
4. Open Door by Unscrewing the Door Screw
5. Pull Wires into Housing Through Rear Slot and Wire Appropriately
6. Close fixture Door with Door Screw



Energy and Performance Data

[Supplemental Lumen Tables](#)
[Caretaker IES Files](#)

Power and Lumens (UNV) (70CRI - 4000K)

Light Engine		C013	C015	C016	C018	C01	C01H	C01HO
Power(Watts)		20	30	42	50	61.0	70	79
Wattage Label		20	30	40	50	60	70	80
Input Current @ 120V (A)		0.17	0.25	0.35	0.42	0.51	0.60	0.66
Input Current @ 277V (A)		0.07	0.11	0.15	0.18	0.25	0.28	0.29
Optics								
T2	Lumens	3,011	4,413	5,895	6,877	8,680	9,726	11,442
	BUG Rating	B1-U2-G1	B1-U3-G1	B1-U3-G2	B1-U3-G2	B2-U3-G2	B2-U3-G2	B2-U3-G3
	Lumens per Watt	148	148	142	136	142	139	145
T2-U0	Lumens	2,907	4,261	5,691	6,679	8,380	9,390	11,047
	BUG Rating	B1-U0-G1	B1-U0-G1	B1-U0-G1	B2-U3-G2	B2-U0-G2	B2-U0-G2	B2-U0-G2
	Lumens per Watt	143	143	137	133	137	134	140
T3	Lumens	3,052	4,473	5,975	6,971	8,798	9,858	11,598
	BUG Rating	B1-U2-G1	B1-U3-G1	B1-U3-G2	B1-U3-G2	B2-U3-G2	B2-U3-G2	B2-U3-G2
	Lumens per Watt	150	150	144	138	144	140	147
T3-U0	Lumens	2,941	4,310	5,758	6,717	8,478	9,500	11,176
	BUG Rating	B1-U0-G1	B1-U0-G1	B1-U0-G1	B1-U0-G1	B2-U0-G2	B2-U0-G2	B2-U0-G2
	Lumens per Watt	144	144	138	133	139	135	141
T5R	Lumens	3,209	4,703	6,283	7,329	9,251	10,366	12,194
	BUG Rating	B2-U2-G1	B3-U2-G1	B3-U3-G1	B3-U3-G2	B3-U3-G2	B4-U3-G2	B4-U3-G2
	Lumens per Watt	157	157	151	145	152	148	154
T5R-U0	Lumens	3,167	4,642	6,200	7,233	9,130	10,230	12,035
	BUG Rating	B2-U0-G1	B3-U0-G1	B3-U0-G1	B3-U0-G2	B3-U0-G2	B4-U0-G2	B4-U0-G2
	Lumens per Watt	155	155	149	144	150	146	152
T5R-SR	Lumens	3,162	4,634	6,191	7,222	9,115	10,214	12,016
	BUG Rating	B2-U3-G1	B3-U3-G2	B3-U3-G2	B3-U3-G2	B3-U3-G3	B4-U3-G3	B4-U3-G3
	Lumens per Watt	155	155	149	143	149	145	152

Energy and Performance Data

Power and Lumens (DALI) (70CRI - 4000K)

Light Engine		C013	C015	C016	C018	C01	C01H	C01HO
Power(Watts)		23	33	43	54	60	75	N/A
Wattage Label		20	30	40	50	60	80	
Input Current @ 120V (A)		0.19	0.27	0.36	0.45	0.50	0.62	
Input Current @ 277V (A)		0.08	0.12	0.15	0.19	0.22	0.27	
Optics								
T2	Lumens	3,558	4,905	6,193	7,942	8,674	10,068	N/A
	BUG Rating	B1-U2-G1	B1-U3-G2	B1-U3-G2	B2-U3-G2	B2-U3-G2	B2-U3-G2	
	Lumens per Watt	153	150	145	148	145	134	
T2-U0	Lumens	3,435	4,736	5,979	7,668	8,374	9,720	
	BUG Rating	B1-U0-G1	B1-U0-G1	B1-U0-G1	B2-U0-G2	B2-U0-G2	B2-U0-G2	
	Lumens per Watt	148	145	140	143	140	130	
T3	Lumens	3,606	4,972	6,277	8,050	8,792	10,205	
	BUG Rating	B1-U2-G1	B1-U3-G1	B1-U3-G2	B1-U3-G2	B2-U3-G2	B2-U3-G2	
	Lumens per Watt	155	152	147	150	147	136	
T3-U0	Lumens	3,475	4,791	6,049	7,757	8,472	9,834	
	BUG Rating	B1-U0-G1	B1-U0-G1	B1-U0-G1	B2-U0-G2	B2-U0-G2	B2-U0-G2	
	Lumens per Watt	150	147	141	144	141	131	
T5R	Lumens	3,792	5,228	6,600	8,464	9,244	10,730	
	BUG Rating	B2-U2-G1	B3-U2-G1	B3-U3-G1	B3-U3-G2	B3-U3-G2	B4-U3-G2	
	Lumens per Watt	163	160	154	158	154	143	
T5R-U0	Lumens	3,742	5,159	6,514	8,353	9,123	10,590	
	BUG Rating	B2-U0-G1	B3-U0-G1	B3-U0-G1	B3-U0-G2	B3-U0-G2	B4-U0-G2	
	Lumens per Watt	161	158	152	156	152	141	
T5R-SR	Lumens	3,736	5,151	6,504	8,340	9,109	10,573	
	BUG Rating	B2-U3-G2	B3-U3-G2	B3-U3-G2	B3-U3-G2	B3-U3-G3	B4-U3-G3	
	Lumens per Watt	161	158	152	155	152	141	

Lumen Maintenance

Light Engine	Ambient Temperature	25,000 hours*	50,000 hours*	60,000 hours*	100,000 hours*	L70*
C013	25°C	96.01%	92.36%	90.94%	85.47%	> 110,000
	40°C	95.78%	91.89%	90.38%	84.58%	> 110,000
C015	25°C	96.01%	92.36%	90.94%	85.47%	> 110,000
	40°C	95.78%	91.89%	90.38%	84.58%	> 110,000
C016	25°C	96.01%	92.36%	90.94%	85.47%	> 110,000
	40°C	95.78%	91.89%	90.38%	84.58%	> 110,000
C018	25°C	96.01%	92.36%	90.94%	85.47%	> 110,000
	40°C	95.78%	91.89%	90.38%	84.58%	> 110,000
C01	25°C	96.01%	92.36%	90.94%	85.47%	> 110,000
	40°C	95.78%	91.89%	90.38%	84.58%	> 110,000
C01H	25°C	96.01%	92.36%	90.94%	85.47%	> 110,000
	40°C	95.78%	91.89%	90.38%	84.58%	> 110,000
C01HO	25°C	93.12%	87.65%	85.55%	77.66%	> 66,000
	40°C	92.34%	86.19%	83.84%	75.09%	> 66,000

Note: *Calculations provided in accordance with IES TM-21-11 using the configuration resulting in highest LED temperature. Previous versions of IES TM-21 where theoretical calculations were used are no longer recommended as a proxy of lumen depreciation.

LED Color Multipliers

	LED					
	CCT					
	2200	2700	3000	3500	4000	5000
CRI	Lumen Multiplier					
70	--	--	0.971	--	1.00	1.012
80	--	0.878	--	--	--	--

Lumen Multiplier

Ambient Temperature	Lumen Multiplier
0°C	1.02
10°C	1.01
25°C	1.00
40°C	0.99

FADC Settings

FADC Postion	Percent of Typical Lumen Output
1	25%
2	48%
3	56%
4	65%
5	75%
6	80%
7	85%
8	90%
9	95%
10	100%

Note: +/-5% typical value

Optical Distributions

