

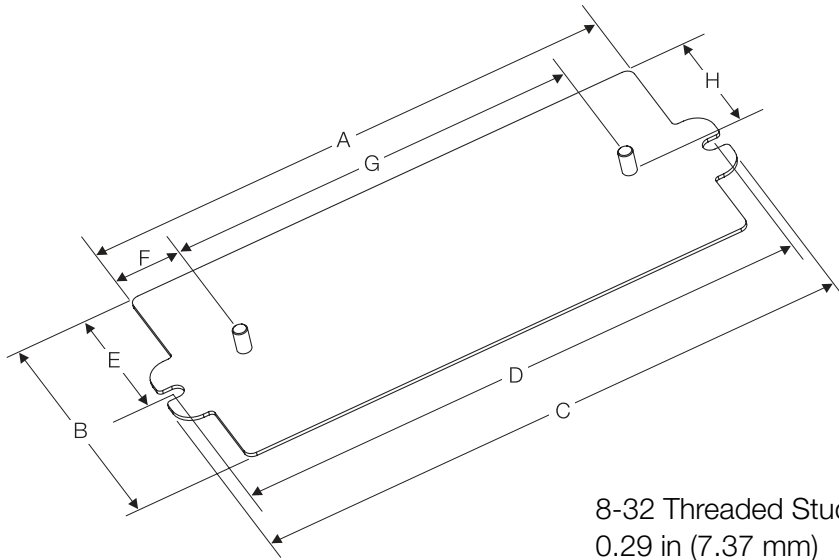
ADAPTER PLATES

Adapter plates

Lutron adapter plates CFL-BEA-BK or CFL-JBA-FAB may be required to retrofit replacement ballasts.

The CFL-BEA-BK is used when a non-studded B-can is being replaced by a non-studded K-can. The CFL-JBA-FAB is used when a studded F-can is being replaced by a studded A-can, B-can or K-can. Dimensions for the adapter plates are shown below.

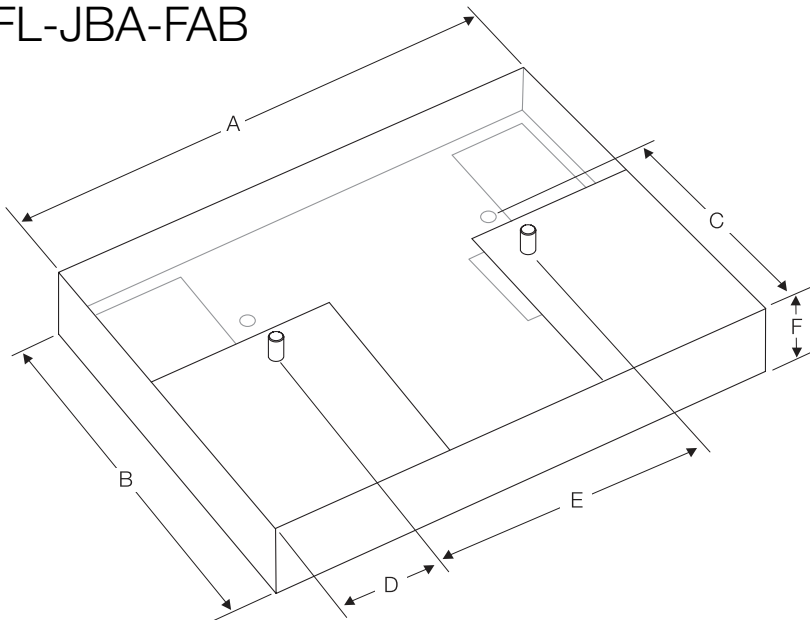
CFL-BEA-BK



- A 6.00 in (152 mm)
- B 2.96 in (75 mm)
- C 6.73 in (171 mm)
- D 6.41 in (163 mm)
(mounting centers)
- E 1.58 in (40 mm)
- F 0.69 in (18 mm)
- G 4.61 in (117 mm)
- H 1.43 in (36 mm)

8-32 Threaded Stud
0.29 in (7.37 mm)

CFL-JBA-FAB



- A 4.19 in (106 mm)
- B 2.96 in (75 mm)
- C 2.04 in (52 mm)
- D 1.09 in (28 mm)
- E 2.00 in (51 mm)
- F .52 in (13 mm)

8-32 Threaded Stud
0.29 in (7.37 mm)