

Current Transformers—100mA

Submetering Solutions for Accurate Measurement & Verification

For use with VerifEye™ Series 1000, 2000, and 8000 Meters, Mini Meters and MMUS



Description

Leviton 100mA Current Transformers (CTs) support the VerifEye Mini Meter, Series 1000, Series 2000, Series 3500, and Series 8000 lines of revenue-grade submeters and help meet all measurement and verification-based opportunities, including smart metering and LEED rating achievement. Designed as part of a simple and effective process for accurately capturing measurements of power consumption, CTs are easy to specify and install for new construction and retrofits.

The better the equipment, the better the measurement. Leviton submeters utilize highly accurate current transformers for revenue-grade performance certified to ANSI standards. Solid core CTs deliver +/-0.3% or better accuracy. Split core CTs deliver +/-0.5% to 1.0% accuracy. For added safety, all Leviton current transformers come with built-in voltage suppression devices that prevent hazardous voltages from developing on CT secondaries should they become disconnected from a submeter with load current present. Leviton CTs are UL and cUL listed devices.

Solid Core

Leviton solid core CTs are cost effective and less susceptible to damage during installation. Solid core CTs slip over power lines to measure the electrical current flowing through the line. The CT “secondary” wires connect to the submeter facilitating power and energy calculations. They are compact and cost effective. Solid core CTs are accurate (0.3% maximum error). For installation, power must be de-energized and the circuit opened in order to slip the CT over the power line.

Split Core

Split core CTs can be disassembled or ‘split’ into halves eliminating the need to turn power off and open the circuit during installation. This time-saving installation is ideal for critical loads that cannot be disconnected. Leviton split core CTs are designed to close and lock to ensure a secure, fast and precise installation with no need for time-consuming tie wraps and no worries about improper seating or core separation.

- Indoor type for measurement category Class IV, accessory equipment for energy meters
- Designed to meet the requirements of UL916 plus CSA C22.2 No. 61010-1
- Suitable for installation on 600V uninsulated bus duct

Note: Leviton recommends solid core transformers (CTs) for revenue-grade accuracy. The 100A and 200A color coded CTs assist with correct installation by indicating phase monitored. Split core CTs are also available upon request for applications where power cannot be interrupted during installation. The 100-5,000A split core CTs offer +/- 0.5% to 1.0% accuracy.

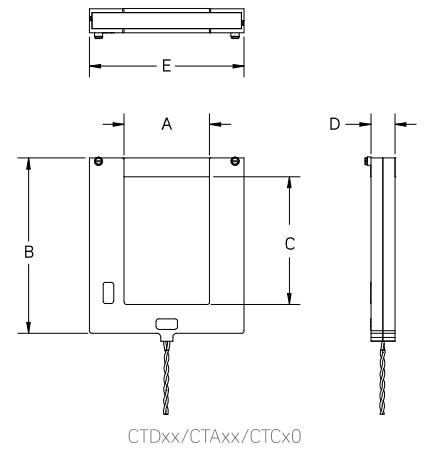
Applications

Use current transformers in commercial, institutional, industrial and government applications to support:

- Load profiling and benchmarking
- AMR/BAS/BMS/EMS integration
- Power quality analysis
- Usage aggregation
- Tenant cost allocation
- Measurement and verification
- Net metering
- Energy conservation and cost reduction
- Green building initiatives and government mandates

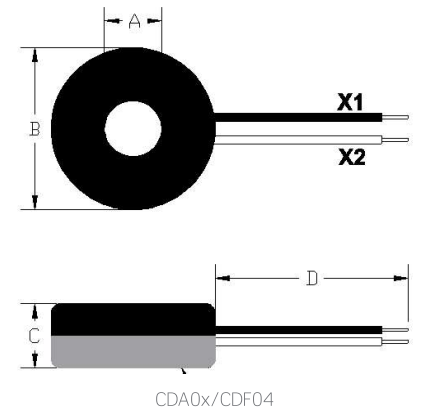
Dimensional Diagrams—For Use With Series 1000, 2000, 8000, Mini Meters and Multiple Meter Units (MMUs)
Split Core CTs

Cat No.	CT Size	A	B	C	D	E
CTA01-KC0	100:0.1A	0.75" (19mm)	2.69" (68mm)	0.75" (19mm)	0.94" (23.8mm)	2.40" (60.9mm)
CTA02-KD0	200:0.1A	1.00" (25.4mm)	3.24" (82.3mm)	1.00" (25.4mm)	1.11" (28.2mm)	2.87" (72.9mm)
CTA04-KD1	400:0.1A	1.25" (31.7mm)	3.22" (81.7mm)	1.25" (31.7mm)	1.14" (28.9mm)	3.31" (84mm)
CTA08-KC0	800:0.1A	3.00" (76.2mm)	6.1" (154.9mm)	3.50" (88.9mm)	1.25" (31.75mm)	7" (177.8mm)
CTA12-KJ4	1200:0.1A	4.00" (101.6mm)	9.3" (236.2mm)	6.00" (152.4mm)	1.12" (28.45mm)	7.3" (185.4mm)



Solid Core CTs

Cat No.	CT Size	A	B	C	D
CDA0x-x12	100:0.1A & 200:0.1A 0.72"	0.72" (18.3mm)	2.06" (52.3mm)	0.82" (20.8mm)	48.00" x 2 (2438mm)
CDF04-K24	400:0.1A 1.5"	1.50" (38.1mm)	3.60" (76.2mm)	1.38" (34.9mm)	48.00" x 2 (2438mm)



Ordering Information

NOTE: Meters sold separately

Amp	Opening Dimensions	Lead Length	Cat. No.	Description
Solid Core CTs				
100:0.1A	0.72"	48"	CDA01-K12	Solid Core, Black
100:0.1A			CDA01-L12	Solid Core, Blue
100:0.1A			CDA01-R12	Solid Core, Red
200:0.1A			CDA02-K12	Solid Core, Black
200:0.1A			CDA02-L12	Solid Core, Blue
200:0.1A			CDA02-R12	Solid Core, Red
400:0.1A	0.98"		CDF04-K24	Solid Core, Black
Solid Core CT Kits				
100:0.1A	0.72"	48"	CDA01-212	2 Solid Core, 1 each Black, Red
100:0.1A			CDA01-312	3 Solid Core, 1 each Black, Red, Blue
200:0.1A			CDA02-212	2 Solid Core, 1 each Black, Red
200:0.1A			CDA02-312	3 Solid Core, 1 each Black, Red, Blue
Split Core CTs				
100:0.1A	0.75" x 0.75"	144"	CTA01-KC0	Split Core
200:0.1A	1" x 1"		CTA02-KD0	Split Core
400:0.1A	1.25", x 1.25"		CTA04-KD1	Split Core
800:0.1A	3" x 3.5"		CTA08-KG1	Split Core
1200:0.1A	4" x 6"		CTA12-KJ4	Split Core

NOTE: All 100mA CTs can be extended to 500'

Leviton Manufacturing Co., Inc. Lighting & Controls

10385 SW Avery Street, Tualatin, OR 97062 **tel** 800-736-6682 **tech line** (6:00AM-4:00PM PT Mon-Fri) 800-959-6004

Leviton Manufacturing Co., Inc. Global Headquarters

201 North Service Road, Melville, NY 11747-3138 **tel** 800-323-8920 **tech line** (8:00AM-10:00PM ET Mon-Fri, 9:00AM-7:00PM ET Sat, 9:00AM-5:00PM ET Sun) 800-824-3005

Visit our Website at: www.leviton.com/verifeye

©2024 Leviton Manufacturing Co., Inc. All rights reserved. Subject to change without notice.

LES-G-10372E/I24-mm
REV SEP 2024