

# PIR DIMMING MULTI-WAY WALL SWITCH VACANCY SENSOR

CD-250

Manual-on/automatic-off control with full-range dimming and multi-way capability

Lighted pushbutton for visibility in darkened rooms



Ideal dimming and occupancy control for any small room with incandescent lighting

Adjustable time delay

## DESCRIPTION

The CD-250 PIR Dimming Multi-way Vacancy Sensor provides preset dimming control and automatic lighting shutoff for a variety of applications including those with multiple switch locations. It is engineered to comply with specific provisions of California's Title 24-2013 energy code.

## OPERATION

The CD-250 operates as a manual-on sensor. Users must press the pushbutton to turn on lighting. Once lighting is on, the dimming level may be adjusted by pressing and holding the pushbutton. The CD-250 employs PIR technology to sense the difference between the infrared energy from a person in motion and the background space. It keeps lighting on as long as motion is detected and provides automatic shutoff, following a user-selected time delay, when motion is no longer detected. Users may turn the lighting off manually. The next time the CD-250 is turned on, the lighting will come on to the last light level.

## DIMMING AND MULTI-WAY CONTROL

The CD-250 can dim incandescent loads from a minimum level of 10% to a maximum level of 100%. When the pushbutton is pressed and held, the CD-250 will fade the lights up and down in a continuous cycle until the pushbutton is released. The dimming direction may be reversed by momentarily releasing the pushbutton and then pressing it again.

Lighting may be controlled from multiple locations by connecting additional CD-250s and/or RH-253 Single Pole Momentary Switches. When additional CD-250s are connected, each device provides full on/off and dimming control. Connected RH-253s provide on/off control only.

## APPLICATIONS

The CD-250 is ideal for bedrooms, living rooms, dining rooms, family rooms and other areas requiring dimming control from one or more locations coupled with automatic shutoff. It helps homeowners and facility managers maximize energy savings and enjoy the most pleasing light level for a given task.

## FEATURES

- Replaces single- or multi-pole switches or incandescent dimmers
- Provides multi-way control when used with other CD-250s or RH-253s
- Adjustable time delay, 15 seconds to 30 minutes
- Lighted switch for visibility in darkened rooms
- Low-profile styling
- Choice of five decorator colors; lens is color matched to device
- Soft-start technology to prolong lamp life
- Air gap isolation switch for safe relamping
- Compatible with decorator wall plates
- CA Title 24 compliant

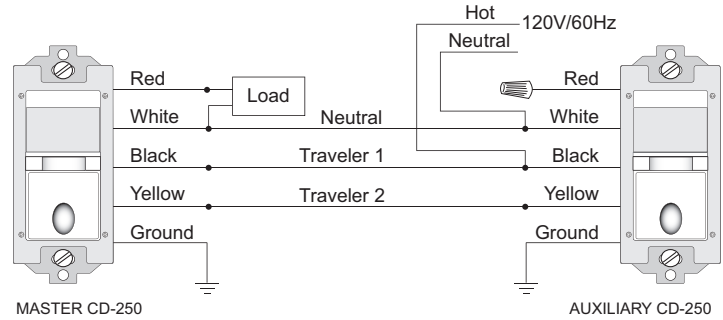
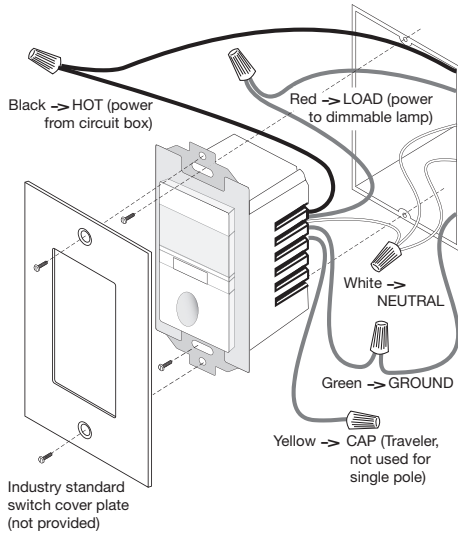
PROJECT

LOCATION/  
TYPE

## SPECIFICATIONS

- 120 VAC, 60 Hz; neutral required
- Operates incandescent lighting from 25-500W
- Time delay settings: 15 seconds, 5, 15, 30 minutes
- PIR coverage: 180°, 600 ft<sup>2</sup> (56 m<sup>2</sup>)
- 2.67" x 1.73" x 1.77" (68mm x 44mm x 45mm) L x W x D
- Operating conditions: 32-104°F (0-40°C), 95% RH, non-condensing; for indoor use only
- UL listed
- Five year warranty

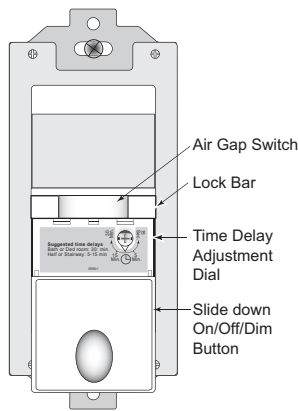
## INSTALLATION & WIRING



Up to four multi-location sensors may be connected together. For details on connecting RH-253s for multi-location control, see the RH-253 cut sheet.

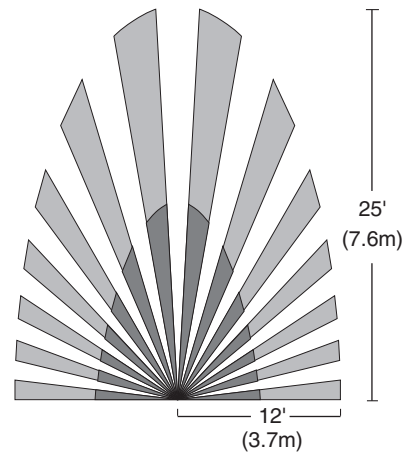
## CONTROLS & COVERAGE

### Product Controls



To access adjustment dial, gently pull the lock bar away from the switch face and slide the on/off button down.

### Coverage Pattern



## ORDERING INFORMATION

Catalog #	Color	Description	Voltage	Load Rating	Coverage
<input type="checkbox"/> CD-250-W	White	PIR Dimming Multi-Way Wall Switch Vacancy Sensor	120 VAC, 60 Hz	25-500W incandescent lighting	180°, max. 600 ft <sup>2</sup> (56m <sup>2</sup> )
<input type="checkbox"/> CD-250-I	Ivory				
<input type="checkbox"/> CD-250-LA	Light Almond				
<input type="checkbox"/> CD-250-A	Almond				
<input type="checkbox"/> CD-250-B	Black				

Order wall plate separately.

31668r1 Rev 09/2021