



Since 1959

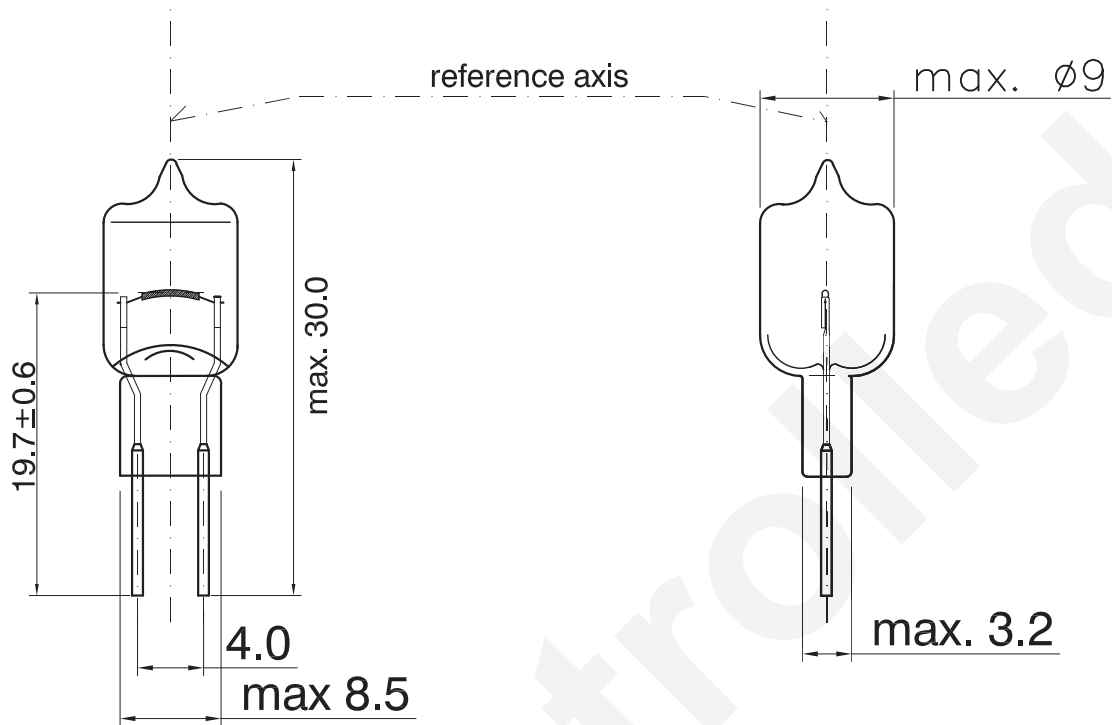
Product Information Sheet

891 12V 8W

891

2010. 12. 13 NEW

2009. 05. 07 OLD



\* all dimensions in mm

Halogen bulb	
891 12V 8W	
Cap:	G4 Two Pin
Type:	891
ECE R37	none
FMVSS108	none
Bulb mat.:UV-cut Hardglass	
Made in korea / INCHEON	

Technical data	
Test voltage	12.8V
Power	8.96W max
Luminous flux	135lm ± 15%
Lumen maintenance	85 % min

Rated life:	at 12.8V -Average 500 hr
-------------	--------------------------------

Maximum operating temperature:	bulb 650°C max pinch 400°C max
Operating position	horizontal