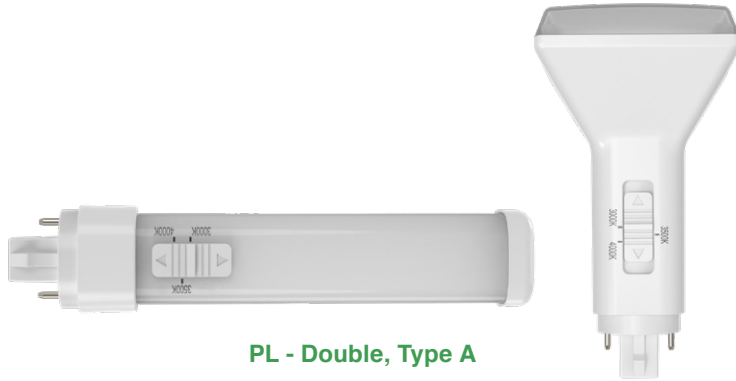


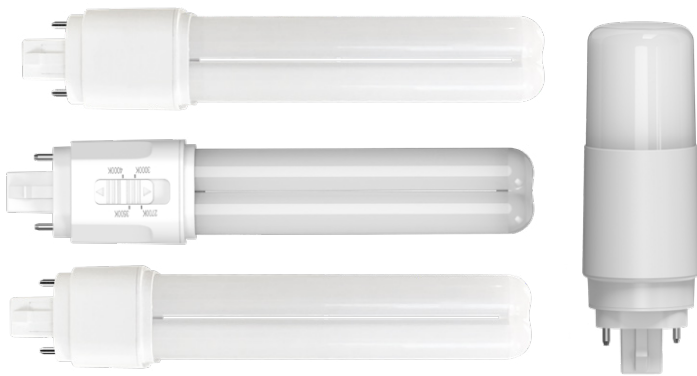
PROJECT NAME: \_\_\_\_\_  
 NOTES: \_\_\_\_\_

CAT. #: \_\_\_\_\_  
 FIXTURE SCHEDULE: \_\_\_\_\_

## PL - Double , Type A+B Hybrid, Type A



**PL - Double, Type A**



**PL - Double, Type A+B, Hybrid**

### Product Description

MaxLite's Plug-In LED Lamps offer a versatile LED solution for replacing compact fluorescent plug-in lamps. Available in Type A (ballast-compatible) and Hybrid (A+B) models, they provide flexibility for any installation. With multiple base options (G24, GX24) and full CCT coverage (2700K-5000K), these lamps ensure a smooth transition to energy-efficient lighting. With high efficacy, a long lifespan, and both omnidirectional and directional options, these lamps maximize performance while minimizing maintenance and energy costs for commercial, residential, and retrofit applications.

### Features

- **Broad Compatibility:** Replaces any fluorescent plug-in lamp, with multiple wattages and base types (G24, and GX24) to match existing fixtures.
- **Available in Type A and Hybrid Models:** Choose ballast-compatible (Type A) or dual-mode (Type A+B) for maximum installation flexibility.
- **Complete CCT coverage:** Available in 2700K, 3000K, 3500K, 4000K, and 5000K fixed options, with CCT selectable models for added flexibility.
- **High Efficiency & Longevity:** Delivers up to 141 lm/W with a 50,000-hour lifespan, reducing energy and maintenance costs.
- **Flexible Light Distribution:** Omnidirectional models provide wide, even illumination, while directional models focus light where it's needed most.
- **Lamp base can rotate 270 degrees** for model numbers - 9.5PLDH/DFD/G24Q8CS; 9.5PLDH/DFD/G24Q827; 9.5PLDH/DFD/G24Q850
- **Additional models and types are available.** Contact Maxlite or [visit Maxlite.com](http://visitMaxlite.com)

### Model Selection

#### PL - Double, Type A+B, Hybrid



7PLDO/AB/G24D8xx

8.5PLDO/AB/G24D8xx

8.5PLDO/AB/G24D8CS

8.5PLDO/ABD/G24Q8xx

8.5PLDO/ABD/G24Q8CS

WATTAGE	FAMILY	INSTALL POSITION	OPERATION	DIMMABILITY	BASE	CRI AND CCT
7= 7.0W	PLD= PL Double	O= Omnidirectional	/AB= Type A+B, Hybrid	BLANK= None	/G24D= G24D/GX24D base, 2 Pin	827= 80 CRI, 2700K 830= 80 CRI, 3000K 835= 80 CRI, 3500K 840= 80 CRI, 4000K
8.5= 8.5W						8CS= 80 CRI, 4 CCT 2700K/3000K/3500K/4000K 850= 80 CRI, 5000K
8.5= 9.5W						D= Dimmable

Note - Default Setting for CS models is 4000K

Model selection continued next page ➔

## PL - Double , Type A+B Hybrid, Type A

### Model Selection – continued

#### PL - Double, Type A



9.5PLDH/DFD/G24Q8CS



9.5PLDV/DFD/G24Q8xx



9.5PLDV/DFD/G24Q8CS

WATTAGE	FAMILY	INSTALL POSITION	OPERATION	DIMMABILITY	BASE	CRI AND CCT
9.5= 9.5W	PLD= PL Double	H= Horizontal V= Vertical	/DF= Type A	D= Dimmable	/G24Q= G24Q base, 4 Pin	8CS= 80 CRI, 3 CCT 3000K/3500K/4000K 827= 80 CRI, 2700K 850= 80 CRI, 5000K 8CS= 80 CRI, 3 CCT 3000K/3500K/4000K 827= 80 CRI, 2700K 850= 80 CRI, 5000K

Note - Default Setting for CS models is 4000K

### Stocked Items | DLC 5.1 Listing

#### PL - Double, Type A

ORDER CODE	MODEL NUMBER	DLC PRODUCT ID#	DLC CLASSIFICATION	DLC PRIMARY USE DESIGNATION
112215	9.5PLDH/DFD/G24Q8CS	S-QX97WQ	Standard	Replacement Lamps (Plug and Play) (UL Type A)
112216	9.5PLDH/DFD/G24Q827	S-J4G074		
112217	9.5PLDH/DFD/G24Q850	S-NYTNVQ		
112218	9.5PLDV/DFD/G24Q8CS	S-PV1QB4		
112219	9.5PLDV/DFD/G24Q827	S-B2PK0K		
112220	9.5PLDV/DFD/G24Q850	S-JF3TB5		

### Stocked Items (non-DLC listed)

#### PL - Double, Type A+B, Hybrid

ORDER CODE	MODEL NUMBER	ORDER CODE	MODEL NUMBER
112206	7PLDO/AB/G24D827	112211	8.5PLDO/AB/G24D850
112207	7PLDO/AB/G24D830	112210	8.5PLDO/AB/G24D8CS
112208	7PLDO/AB/G24D835	112213	8.5PLDO/ABD/G24Q827
112209	7PLDO/AB/G24D840	112214	8.5PLDO/ABD/G24Q850
		112212	8.5PLDO/ABD/G24Q8CS

### FCC Statement

NOTE: This equipment has been tested and found to comply with the limits for a Class B digital device, pursuant to Part 15 of the FCC Rules. These limits are designed to provide reasonable protection against harmful interference in a residential installation. This equipment generates, uses, and can radiate radio frequency energy and, if not installed and used in accordance with the instructions, may cause harmful interference to radio communications. However, there is no guarantee that interference will not occur in a particular installation.

If this equipment does cause harmful interference to radio or television reception which can be determined by turning the equipment off and on, the user is encouraged to try to correct the interference by one or more of the following measures:

- Reorient or relocate the receiving antenna.
- Increase the separation between the equipment and receiver.
- Connect the equipment to an outlet on a circuit different from that to which the receiver is connected.
- Consult the dealer or an experienced radio/TV technician for help

## PL - Double , Type A+B Hybrid, Type A

### PL - Double, Type A+B, Hybrid

Specifications	7PLDO/AB/G24D8xx	8.5PLDO/AB/G24D8xx	8.5PLDO/ABD/G24Q8xx
Family	PL Double		
Installation Position	Omnidirectional		
Operation	Type A+B Hybrid		
Base	G24D/GX24D base, 2 Pin		G24Q/GX24Q base, 4 Pin
Equivalent Wattage	18W Fluorescent	26W Fluorescent	26W Fluorescent
Input Wattage (W)	7W	9W	9.5W
Lumens delivered (lm)	800 to 880 lm at Fixed CCT 2700K, 3000K, 3500K, 4000K	1200 lm at Fixed CCT 5000K 1050 to 1200 lm at 4 CCT Selectable 2700K/3000K/3500K/4000K	1050 lm at Fixed CCT 2700K 1200 lm at Fixed CCT 5000K 1050 to 1200 lm at 3 CCT Selectable 3000K/3500K/4000K
Nominal Efficacy (lm/W)	114 to 126 lm/W at Fixed CCT 2700K, 3000K, 3500K, 4000K	135 lm/W at Fixed CCT 5000K 124 to 135 lm/W at 4 CCT Selectable 2700K/3000K/3500K/4000K	124 lm/W at Fixed CCT 2700K 141 lm/W at Fixed CCT 5000K 129 to 135 lm/W at 3 CCT Selectable 3000K/3500K/4000K
Color Temperature (K)	Fixed CCT 2700K, 3000K, 3500K, 4000K	Fixed CCT 5000K, 4 CCT Selectable 2700K/3000K/3500K/4000K Default Setting for CS models is 4000K	Fixed CCT 2700K, 5000K. 3 CCT Selectable 3000K/3500K/4000K Default Setting for CS models is 4000K
CRI	≥ 80		
Calculated L70 Lumen Maintenance	≥ 50,000 hours		
Dimming Technology	Non- Dimmable		Type A: Dimmable based on ballast Type B: Non- Dimmable
Input Voltage	120-277V AC, 50/60 Hz		
Power Factor	0.9		
Diffuser	Polycarbonate		
Surge Protection	Type B surges are 500V		
Operating Temperature	-4°F to 113°F (-20°C to 45°C)		
Certifications	cULus listed, cULus classified, FCC, RoHS Complaint, NSF/ ANSI 2 - Food Equipment		
Environment	Damp Locations		
Warranty	5 Years warranty. Check <a href="http://maxlite.com/warranties">maxlite.com/warranties</a> for details		
Case Quantity	24 pcs		

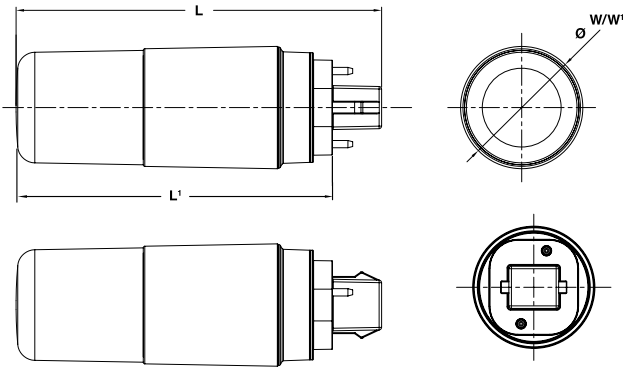
## PL - Double , Type A+B Hybrid, Type A

### PL - Double, Type A

Specifications	9.5PLDH/DFD/G24Q8xx	9.5PLDV/DFD/G24Q8xx
Family	PL Double	
Installation Position	Horizontal	Vertical
Operation	Type A	
Base	G24Q base, 4 Pin	
Equivalent Wattage	26W Fluorescent	26W Fluorescent
Input Wattage (W)	9.5W	9.5W
Lumens delivered (lm)	950 lm at Fixed CCT 2700K 1050 lm at Fixed CCT 5000K	1000 lm at Fixed CCT 2700K 1150 lm at Fixed CCT 5000K
	360 to 1050 lm at 3 CCT Selectable 3000K/3500K/4000K	1050 to 1150 lm at 3 CCT Selectable 3000K/3500K/4000K
Nominal Efficacy (lm/W)	100 lm/W at Fixed CCT 2700K 111 lm/W at Fixed CCT 5000K	105 lm/W at Fixed CCT 2700K 121 lm/W at Fixed CCT 5000K
	101 to 111 lm/W at 3 CCT Selectable 3000K/3500K/4000K	111 to 121 lm/W at 3 CCT Selectable 3000K/3500K/4000K
Color Temperature (K)	Fixed CCT 2700K, 3000K, 3500K, 4000K, 3 CCT Selectable 3000K/3500K/4000K. Default Setting for CS models is 4000K	Fixed CCT 5000K, 3 CCT Selectable 3000K/3500K/4000K. Default Setting for CS models is 4000K
CRI	≥ 80	
Calculated L70 Lumen Maintenance	≥ 50,000 hours	
Dimming Technology	Dimmable based on ballast	
Input Voltage	Ballast Dependant	
Power Factor	Ballast Dependant	
Diffuser	Polycarbonate	
Operating Temperature	-4°F to 113°F (-20°C to 45°C)	
Certifications	cULus Listed, RoHS Compliant, NSF/ ANSI 2 - Food Equipment	cULus Listed, RoHS Compliant, NSF/ ANSI 2 - Food Equipment
Qualifications	DLC Standard	
Environment	Damp Locations	
Warranty	5 Years warranty. Check <a href="http://maxlite.com/warranties">maxlite.com/warranties</a> for details	
Case Quantity	24 pcs	

# PL - Double , Type A+B Hybrid, Type A

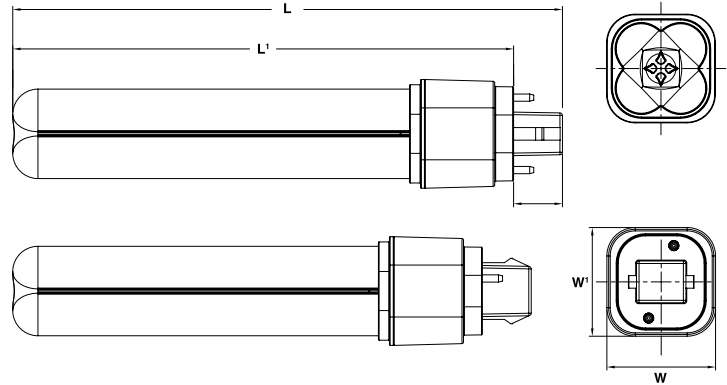
## Dimensions



**PL - Double, Type A+B, Hybrid**

Overall Length L	Length w/o Base L'	Width W	Width W'
------------------	--------------------	---------	----------

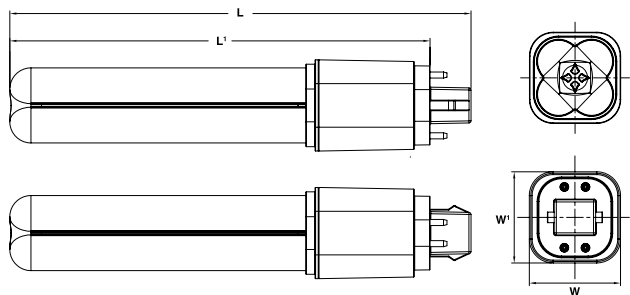
7PLDO/AB/G24D8xx	4.50"	3.90"	1.52"	1.52"
------------------	-------	-------	-------	-------



**PL - Double, Type A+B, Hybrid**

Overall Length L	Length w/o Base L'	Width W	Width W'
------------------	--------------------	---------	----------

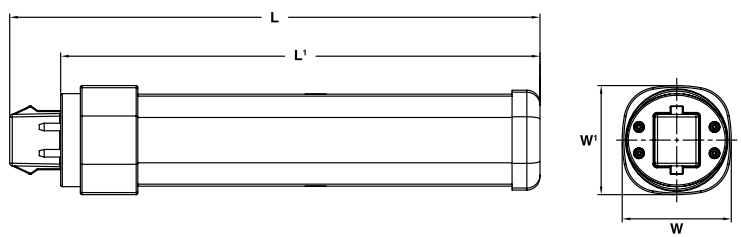
8.5PLDO/AB/G24D8xx	6.87"	6.26"	1.36"	1.36"
--------------------	-------	-------	-------	-------



**PL - Double, Type A+B, Hybrid**

Overall Length L	Length w/o Base L'	Width W	Width W'
------------------	--------------------	---------	----------

8.5PLDO/ABD/G24Q8xx	6.87"	6.26"	1.36"	1.36"
---------------------	-------	-------	-------	-------



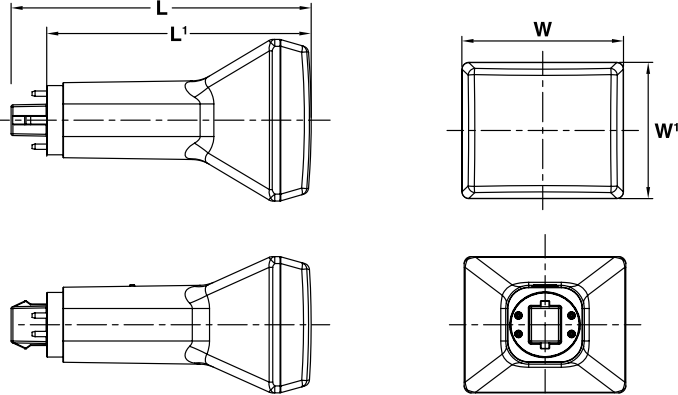
**PL - Double, Type A**

Overall Length L	Length w/o Base L'	Width W	Width W'
------------------	--------------------	---------	----------

9.5PLDH/DFD/G24Q8xx	6.35"	5.74"	1.31"	1.31"
---------------------	-------	-------	-------	-------

# PL - Double , Type A+B Hybrid, Type A

## Dimensions

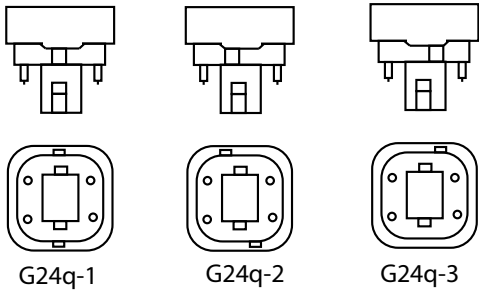


PL - Double, Type A

	Overall Length L	Length w/o Base L'	Width W	Width W'
9.5PLDV/DFD/G24Q8xx	5.12"	4.51"	2.76"	2.32"

## Lamp Bases

G24q base lamps will fit into the following sockets:



G24q-1

G24q-2

G24q-3

## PL - Double , Type A+B Hybrid, Type A

### Ballast Compatibility

#### PL - Double, Type A+B, Hybrid (Model Number: 8.5PLDO/ABD/G24Q8xx)

BRAND	MODEL NUMBER	COMPATIBILITY STATUS				BALLAST TYPE
		BALLAST WORKS ON 120-277V				
		1 LAMP	2 LAMPS	3 LAMPS	4 LAMPS	
Philips advance	ICF-2S13-M1-BS-QS	OK	OK	N/A	N/A	PS
Philips advance	ICF-2S18-M1-BS-QS	OK	OK	N/A	N/A	PS
Philips advance	ICF-2S18-H1-LD	OK	OK	N/A	N/A	PS
Philips advance	IZT-2S26-M5-BS	OK	OK	N/A	N/A	PS
Philips advance	IZT-2S26-M5-LD	OK	Only 277V OK	N/A	N/A	PS
Philips advance	ICF-2S26-H1-LD	Only 277V OK	No	N/A	N/A	PS
Sylvania	QTP 1/2x13CF/UNV DM	OK	OK	N/A	N/A	PS
Sylvania	QTP 2x26CF/UNV DM	OK	OK	N/A	N/A	PS
Hatch	HC213PS/UV/D	OK	OK	N/A	N/A	PS
Hatch	HC226PS/UV/D	OK	OK	N/A	N/A	PS
Triad	C218UNVBE	Only 120V OK	NO	N/A	N/A	PS
Triad	C2642UNVBE	OK	OK	N/A	N/A	PS
Triad	C213UNVBES	OK	OK	N/A	N/A	PS
Triad	C213UNVME	OK	OK	N/A	N/A	PS
Triad	C218UNVME	OK	OK	N/A	N/A	PS
Howard Lighting	EP2/13CF/MV/2	OK	Only 120V OK	N/A	N/A	PS
Howard Lighting	EP2/18CF/MV/2	OK	NO	N/A	N/A	PS
Howard Lighting	EP2/42CF/MV/2	OK	Only 277V OK	N/A	N/A	PS
Sola	E-724-U-226-M1-S	OK	Only 277V OK	N/A	N/A	PS
OSRAM	QTP 2x26/32/42CF/UNV DM	NO	NO	N/A	N/A	PS
Fulham	RHA-UNV-226-C	OK	Only 277V OK	N/A	N/A	PS
Fulham	WH2-277-L	N/A	NO	N/A	N/A	PS
Fulham	WH3-277-L	N/A	NO	N/A	N/A	PS
Fulham	WH4-277-L	N/A	NO	N/A	N/A	PS
Fulham	RHA-UNV-213-C	NO	Only 120V OK	N/A	N/A	PS
Fulham	RHA-UNV-242-C	NO	Only 120V OK	N/A	N/A	PS

#### LEGEND

Status: **OK** – Compatible **NO** – Not Compatible **N/A** – Not Required  
 Ballast Type: **PS** – Programmed Start **IS** – Instant Start

### Emergency Ballast Compatibility

BRAND	MODEL NUMBER	COMPATIBILITY STATUS
Bodine	B30ST	Not Compatible
Bodine	LP600	Compatible
Iota	I-320	Compatible
Lithonia	PS1400QD	Compatible
Fulham	FH5-DUAL-1400L	Compatible

## PL - Double , Type A+B Hybrid, Type A

### Ballast Compatibility

#### PL - Double, Type A+B, Hybrid (Model Number: 7PLDO/AB/G24D8xx)

BRAND	MODEL NUMBER	COMPATIBILITY STATUS				BALLAST TYPE
		BALLAST WORKS ON 120-277V				
		1 LAMP	2 LAMPS	3 LAMPS	4 LAMPS	
Philips	CC1322MTP	Only 120V OK	N/A	N/A	N/A	Magnetic
Philips	FCF-13-TP	Only 120V OK	N/A	N/A	N/A	Magnetic
Philips	LC-13-TP	Only 120V OK	N/A	N/A	N/A	Magnetic
Philips	LO-13-22	Only 120V OK	N/A	N/A	N/A	Magnetic
Robertson	S1P(3P1083)	Only 120V OK	N/A	N/A	N/A	Magnetic

**LEGEND**

 Status: **OK** – Compatible **NO** – Not Compatible **N/A** – Not Required

#### PL - Double, Type A+B, Hybrid (Model Number: 8.5PLDO/AB/G24D8xx)

BRAND	MODEL NUMBER	COMPATIBILITY STATUS				BALLAST TYPE
		BALLAST WORKS ON 120-277V				
		1 LAMP	2 LAMPS	3 LAMPS	4 LAMPS	
Philips - Advance	H-1Q26-TP-BLS	Ok	NO	N/A	N/A	Magnetic
Robertson	HP28P	Ok	NO	N/A	N/A	Magnetic
Robertson	HP22627P	NO	Ok	N/A	N/A	Magnetic
Robertson	O1527P(3P10104)	Ok	NO	N/A	N/A	Magnetic

**LEGEND**

 Status: **OK** – Compatible **NO** – Not Compatible **N/A** – Not Required

## PL - Double , Type A+B Hybrid, Type A

### Ballast Compatibility

#### PL - Double, Type A (Model Number: 9.5PLDH/DFD/G24Q8xx)

BRAND	MODEL NUMBER	COMPATIBILITY STATUS				BALLAST TYPE
		BALLAST WORKS ON 120-277V				
		1 LAMP	2 LAMPS	3 LAMPS	4 LAMPS	
Philips - Advance	ICF-2S13-M1-BS-QS	OK	OK	N/A	N/A	PS
Philips - Advance	ICF-2S18-M1-BS-QS	OK	OK	N/A	N/A	PS
Philips - Advance	ICF-2S26-M1-BS-QS	OK	OK	N/A	N/A	PS
Philips - Advance	ICF-2S18-H1-LD	OK	OK	N/A	N/A	PS
Philips - Advance	ICF-2S26-H1-LD	OK	OK	N/A	N/A	PS
Philips - Advance	ICF-2S26-H1-LD-QS	OK	OK	N/A	N/A	PS
Philips - Advance	ICF-2S42-M2-LD	OK	OK	N/A	N/A	PS
Philips - Advance	IZT-2S26-M5-BS	OK	OK	N/A	N/A	PS / DIM
Philips - Advance	IZT-2S26-M5-LD	OK	OK	N/A	N/A	PS / DIM
Philips - Advance	IZT-2T42-M5-BS	NO	OK	N/A	N/A	PS / DIM
Philips - Advance	IZT-2T42-M5-LD	NO	OK	N/A	N/A	PS / DIM
Philips - Advance	VEZ-1T42-M2-BS	OK Only 277V	NO	N/A	N/A	PS
Sylvania	QTP 1/2x13CF/UNV DM	OK	OK	N/A	N/A	PS
Sylvania	QTP 1/2x18CF/UNV	OK	OK	N/A	N/A	PS
Sylvania	QTP 2x26CF/UNV DM	OK	OK	N/A	N/A	PS
Sylvania	QTP 2x26/32/42CF/UNV DM	OK Only 277V	NO	N/A	N/A	PS
Hatch	HC213PS/UV/D	OK	OK	N/A	N/A	PS
Hatch	HC226PS/UV/D	OK	OK	N/A	N/A	PS
Hatch	HC242PS/UV/D	OK	NO	N/A	N/A	PS
Triad/Universal Lighting	C213UNVBES	OK	OK	N/A	N/A	PS
Triad/Universal Lighting	C213UNVME	OK	OK	N/A	N/A	PS
Triad/Universal Lighting	C218UNVME	OK	OK	N/A	N/A	PS
Triad/Universal Lighting	C218UNVBE	OK	NO	N/A	N/A	PS
Triad/Universal Lighting	C2642UNVME	OK	OK	N/A	N/A	PS
Triad/Universal Lighting	C2642UNVBE	OK	OK	N/A	N/A	PS
Howard Lighting	EP2/13CF/MV/2	OK	OK	N/A	N/A	PS
Howard Lighting	EP2/18CF/MV/2	OK	OK	N/A	N/A	PS
Howard Lighting	EP2/26CF/MV/2	OK	OK	N/A	N/A	PS
Howard Lighting	EP2/42CF/MV/2	OK	OK	N/A	N/A	PS
Sola	E-724-U-226-M1-S	OK Only 120V	OK Only 120V	N/A	N/A	PS
Fulham	WH2-277-L	OK Only 277V	OK Only 277V	N/A	N/A	IS
Fulham	WH3-277-L	OK Only 277V	OK Only 277V	N/A	N/A	IS
Fulham	WH4-277-L	OK Only 277V	OK Only 277V	N/A	N/A	IS
Fulham	RHA-UNV-213-C	No	OK Only 277V	N/A	N/A	PS
Fulham	RHA-UNV-226-C	No	OK Only 277V	N/A	N/A	PS
Fulham	RHA-UNV-242-C	No	OK Only 277V	N/A	N/A	PS

#### LEGEND

Status: **OK** – Compatible **NO** – Not Compatible **N/A** – Not Required

Ballast Type: **PS** – Programmed Start **IS** – Instant Start

### Emergency Ballast Compatibility

BRAND	MODEL NUMBER	COMPATIBILITY STATUS
Bodine	B30ST	Not Compatible
Bodine	LP600	Compatible
Iota	I-320	Compatible

BRAND	MODEL NUMBER	COMPATIBILITY STATUS
Lithonia	PS1400QD	Compatible
Fulham	FH5-DUAL-1400L	Compatible

## PL - Double , Type A+B Hybrid, Type A

### Ballast Compatibility

#### PL - Double, Type A (Model Number: 9.5PLDV/DFD/G24Q8xx)

BRAND	MODEL NUMBER	COMPATIBILITY STATUS				BALLAST TYPE
		BALLAST WORKS ON 120-277V				
		1 LAMP	2 LAMPS	3 LAMPS	4 LAMPS	
Philips - Advance	ICF-2S13-M1-BS-QS	OK	NO	N/A	N/A	PS
Philips - Advance	ICF-2S18-M1-BS-QS	OK	NO	N/A	N/A	PS
Philips - Advance	ICF-2S26-M1-BS-QS	OK	NO	N/A	N/A	PS
Philips - Advance	ICF-2S18-H1-LD	OK	OK	N/A	N/A	PS
Philips - Advance	ICF-2S26-H1-LD	OK	NO	N/A	N/A	PS
Philips - Advance	ICF-2S26-H1-LD-QS	OK	OK	N/A	N/A	PS
Philips - Advance	ICF-2S42-M2-LD	OK	OK	N/A	N/A	PS
Philips - Advance	IZT-2S26-M5-BS	OK	OK	N/A	N/A	PS / DIM
Philips - Advance	IZT-2S26-M5-LD	OK	OK	N/A	N/A	PS / DIM
Philips - Advance	IZT-2T42-M5-BS	NO	OK	N/A	N/A	PS / DIM
Philips - Advance	IZT-2T42-M5-LD	NO	OK	N/A	N/A	PS / DIM
Philips - Advance	VEZ-1T42-M2-BS	OK Only 277V	NO	N/A	N/A	PS
Sylvania	QTP 1/2x18CF/UNV	OK	NO	N/A	N/A	PS
Sylvania	QTP 2x26CF/UNV DM	OK	NO	N/A	N/A	PS
Sylvania	QTP 2x26/32/42CF/UNV DM	OK	NO	N/A	N/A	PS
Hatch	HC213PS/UV/D	OK	NO	N/A	N/A	PS
Hatch	HC226PS/UV/D	OK	NO	N/A	N/A	PS
Hatch	HC242PS/UV/D	OK	NO	N/A	N/A	PS
Triad/Universal Lighting	C213UNVBES	OK Only 120V	NO	N/A	N/A	PS
Triad/Universal Lighting	C218UNVME	OK	NO	N/A	N/A	PS
Triad/Universal Lighting	C218UNVBE	OK	NO	N/A	N/A	PS
Triad/Universal Lighting	C2642UNVME	OK	NO	N/A	N/A	PS
Triad/Universal Lighting	C2642UNVBE	OK	NO	N/A	N/A	PS
Howard Lighting	EP2/13CF/MV/2	OK	NO	N/A	N/A	PS
Howard Lighting	EP2/18CF/MV/2	OK	NO	N/A	N/A	PS
Howard Lighting	EP2/26CF/MV/2	OK	NO	N/A	N/A	PS
Howard Lighting	EP2/42CF/MV/2	OK	NO	N/A	N/A	PS
Sola	E-724-U-226-M1-S	OK	NO	N/A	N/A	PS

#### LEGEND

Status: **OK** – Compatible **NO** – Not Compatible **N/A** – Not Required

Ballast Type: **PS** – Programmed Start **IS** – Instant Start

### Emergency Ballast Compatibility

BRAND	MODEL NUMBER	COMPATIBILITY STATUS
Bodine	B30ST	Not Compatible
Bodine	LP600	Compatible
Iota	I-320	Compatible
Lithonia	PS1400QD	Compatible
Fulham	FH5-DUAL-1400L	Compatible

## PL - Double , Type A+B Hybrid, Type A

### Dimming Compatibility

#### PL - Double, Type A+B, Hybrid (Model Number: 8.5PLDO/ABD/G24Q8xx)

BRAND	SERIES	MODEL	LOAD	PHILIPS ADVANCE			
				IZT-2S26-M5-BS	IZT-2S26-M5-LD	ICF-2S13-M1-BS-QS	ICF-2S13-M1-BS-QS
Lutron	Nova	NTSTV-DV	960W	Compatible	Compatible	Compatible	Compatible
Lutron	Diva	DVSCTV	1000W	Compatible	Compatible	Compatible	Compatible
Lutron	Nova	NFTV	2000W	Compatible	Compatible	Compatible	Compatible
Lutron	Diva	DVSTV	960W	Compatible	Compatible	Compatible	Compatible

#### PL - Double, Type A (Model Number: 9.5PLDH/DFD/G24Q8xx)

BRAND	SERIES	MODEL	LOAD	PHILIPS								SYLVANIA	
				IZT-2T42-M5-BS		IZT-2S26-M5-LD		IZT-2S26-M5-BS		IZT-2S26-M5-BS		QTP 2X26CF/UNV DIM	
				1 LAMP	2 LAMPS	1 LAMP	2 LAMPS	1 LAMP	2 LAMPS	1 LAMP	2 LAMPS	1 LAMP	2 LAMPS
Lutron	Diva	DVSTV	960W	Not Compatible	Compatible	Compatible	Compatible	Compatible	Compatible	Not Compatible	Compatible	Not Compatible	Compatible
Lutron	Diva	DVSCTV	1000W	Not Compatible	Compatible	Compatible	Compatible	Compatible	Compatible	Not Compatible	Compatible	Not Compatible	Compatible
Lutron	Nova	NTSTV-DV	960W	Not Compatible	Compatible	Compatible	Compatible	Compatible	Compatible	Not Compatible	Compatible	Not Compatible	Compatible
Legrand	Adorne	ADPD4FBL3P2	700W	Compatible	Not Compatible	Compatible	Compatible	Compatible	Compatible	Compatible	Not Compatible	Not Compatible	Compatible
Legrand	Harmony	H4FBL3P	1200W	Not Compatible	Compatible	Compatible	Compatible	Compatible	Compatible	Not Compatible	Compatible	Not Compatible	Compatible
Leviton	Illumatech	IP710-DLZ	1200W	Compatible	Compatible	Compatible	Compatible	Compatible	Compatible	Not Compatible	Compatible	Not Compatible	Compatible

#### PL - Double, Type A (Model Number: 9.5PLDV/DFD/G24Q8xx)

BRAND	SERIES	MODEL	LOAD	PHILIPS ADVANCE			
				IZT-2S26-M5-BS	IZT-2S26-M5-LD	IZT-2T42-M5-BS	IZT-2T42-M5-BS
Lutron	Nova	NTSTV-DV	960W	Compatible	Compatible	Compatible	Compatible
Lutron	Diva	DVSCTV	1000W	Compatible	Compatible	Compatible	Compatible
Lutron	Nova	NFTV	2000W	Compatible	Compatible	Compatible	Compatible
Lutron	Diva	DVSTV	960W	Compatible	Compatible	Compatible	Compatible