



PAR30/PAR20 LED

12PAR30S/EXPERTCOLOR/F40/940/DIM

Philips PAR30S LED Single Optic Lamps with AirFlux Technology provide superior lighting aesthetics and optimal thermal efficiency in a sleek, lightweight design.

Product data

| General Information | |
|---------------------------------------|------------------------------------|
| Cap-Base | E26 [Single Contact Medium Screw] |
| Nominal Lifetime (Nom) | 40000 h |
| Switching Cycle | 50000X |
| Technical Type | 12-75W |
| Light Technical | |
| Color Code | 940 [CCT of 4000K] |
| Beam Angle (Nom) | 40 ° |
| Luminous Flux (Nom) | 950 lm |
| Luminous Flux (Rated) (Nom) | 950 lm |
| Luminous Intensity (Nom) | 2100 cd |
| Color Designation | Cool White (CW) |
| Rated Beam Angle | 40 ° |
| Correlated Color Temperature (Nom) | 4000 K |
| Luminous Efficacy (rated) (Nom) | 75.00 lm/W |
| Color Consistency | <6 |
| Color Rendering Index (Nom) | 95 |
| LLMF At End Of Nominal Lifetime (Nom) | 70 % |
| Operating and Electrical | |
| Input Frequency | 60 Hz |
| Power (Rated) (Nom) | 12 W |
| Lamp Current (Nom) | 120 mA |

| | |
|---------------------------------|-------|
| Wattage Equivalent | 75 W |
| Starting Time (Nom) | 0.5 s |
| Warm Up Time To 60% Light (Nom) | 0.5 s |
| Power Factor (Nom) | 0.9 |
| Voltage (Nom) | 120 V |

| Temperature | |
|----------------------|-------|
| T-Case Maximum (Nom) | 90 °C |

| Controls and Dimming | |
|----------------------|-----|
| Dimmable | Yes |

| Approval and Application | |
|------------------------------|-----|
| Suitable For Accent Lighting | Yes |

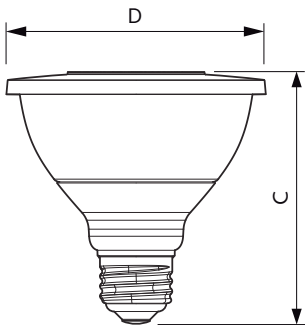
| Product Data | |
|---------------------------------|----------------------------------|
| Order product name | 12PAR30S/EXPERTCOLOR/F40/940/DIM |
| EAN/UPC - Product | 046677470944 |
| Order code | 929001340804 |
| Numerator - Quantity Per Pack | 1 |
| Numerator - Packs per outer box | 6 |
| Material Nr. (12NC) | 929001340804 |
| Net Weight (Piece) | 0.220 kg |

PAR30/PAR20 LED

Warnings and Safety

- Suitable for use in damp locations.
- Not for use in totally enclosed luminaires.
- Before replacing, turn off power and let lamp cool to avoid electrical shock or burn.
- CAUTION: Risk of electric shock— do not use where directly exposed to water
- NOTES: This device complies with Part 18 of the FCC rule. This product may cause interference with other devices. If interference occurs, change the location of the products involved. This RFLD device complies with Canadian ICES-005.

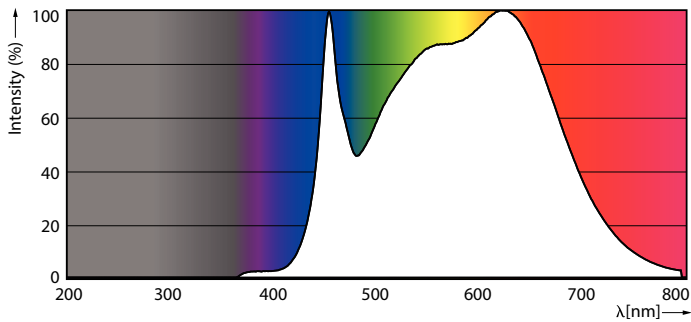
Dimensional drawing



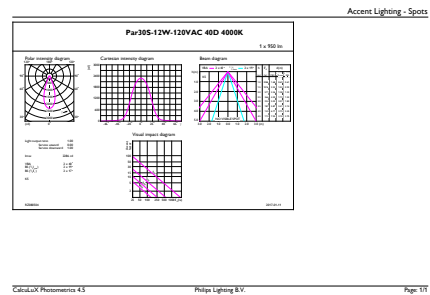
PAR30S 12-90W 950lm 40D 4000K E26 D

| Product | D | C |
|----------------------------------|----------|----------|
| 12PAR30S/EXPERTCOLOR/F40/940/DIM | 120.7 mm | 134.6 mm |

Photometric data



PAR38 17-120W 1250lm 25D 4000K E26 D



© Philips Lighting B.V. Philips Lighting B.V. Page 1/1

