



# PAR30 Indoor Flood LED

11PAR30L/END/F22 2700 DIM 6/1

Philips PAR Dimmable LED Reflectors with high brightness LEDs are suited for track and recessed lighting. Energy saving, long life LED PAR long and short lamps install into existing fixtures, lower costs with reduced wattage and reduce re-lamping frequency.

## Product data

### • General Characteristics

Cap-Base	E26
Bulb	PAR30L
Rated Avg. Life (Hours)	40000 hr

### • Light Technical Characteristics

Color Code	WW
Color Designation	Warm White
Beam Angle	22 D
Beam Description	22D [Medium beam]
Correlated Color Temperature	2700 K
Approximate Lumens	440 Lm
Approx. MBCP	1880 cd
CRI	82
Color Temp. (Kelvin)	2700 K [CCT 2700K]

### • Electrical Characteristics

Wattage	11 W
---------	------

Wattage Technical	11.0 W
Voltage	120 V
Power Factor	0.79 -
Lamp Current mA	110 mA
Dimmable	Yes

### • Product Data

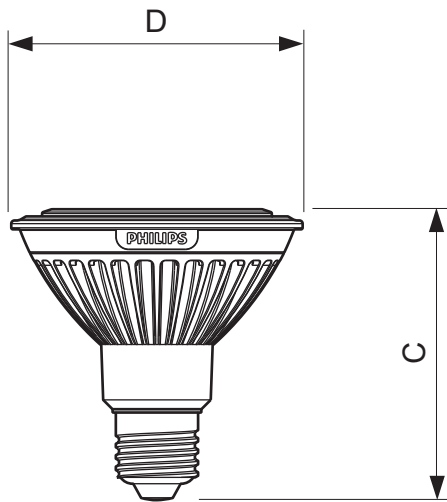
Product number	408120
Full product name	11PAR30L/END/F22 2700 DIM 6/1
Short product name	11PAR30L/END/F22 2700 DIM 6/1
Pieces per Sku	1
eop_pck_cfg	6
Skus/Case	6
Bar code on pack	46677408121
Bar code on case	50046677408126
Logistics code(s)	929000171502
eop_net_weight_pp	0.341 kg



**PHILIPS**  
sense and simplicity

# PAR30 Indoor Flood LED

## Dimensional drawing



E26

### E26/E27, PAR30S/PAR30L, dimmable

Product	C (Norm)	D (Norm)
LED 11W E26 2700K 120V PAR30L Dimmable	-	-



© 2012 Koninklijke Philips Electronics N.V.  
All rights reserved.

Specifications are subject to change without notice. Trademarks are the property of Koninklijke Philips Electronics N.V. or their respective owners.

2012, August 4  
data subject to change